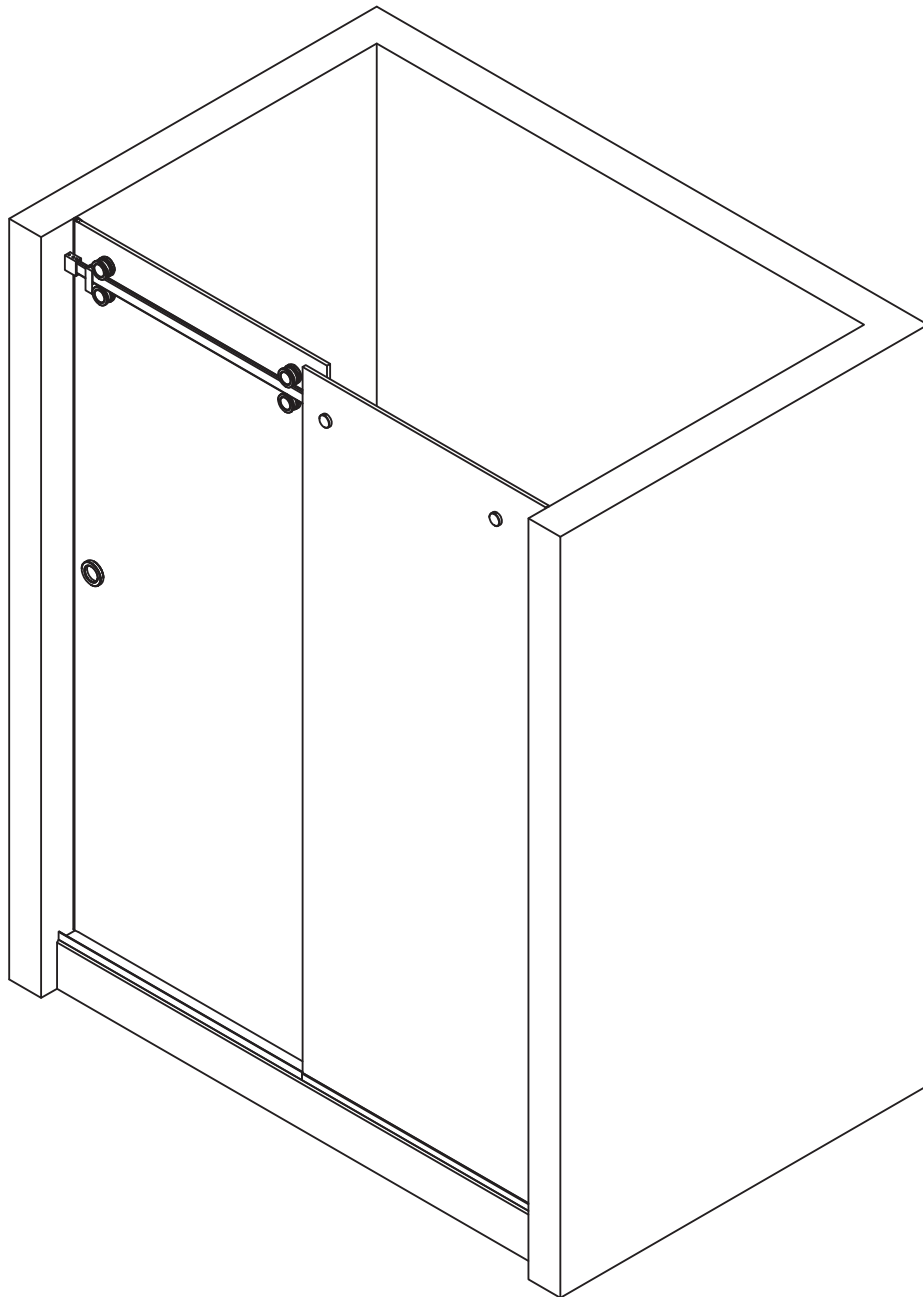


KLS-04.1

INSTALLATION MANUAL



SLIDING SHOWER DOOR



EPCO USA
ARCHITECTURAL
HARDWARE
SOLUTIONS

PRODUCT INFORMATION

PRODUCT CAPACITY:

- Maximum Door Weight: 40 KG (88 LBS)
- Maximum Door Width: 812 MM (32")
- Maximum Door Height: 1930 MM (76")

STANDARD KLS-04.1:

Fits up to 60" wide opening.

CUSTOM KLS-04.1.72:

Fits up to 72" wide opening with a wide fixed panel. Additional W-T glass fixings to support the fixed panel may be required.



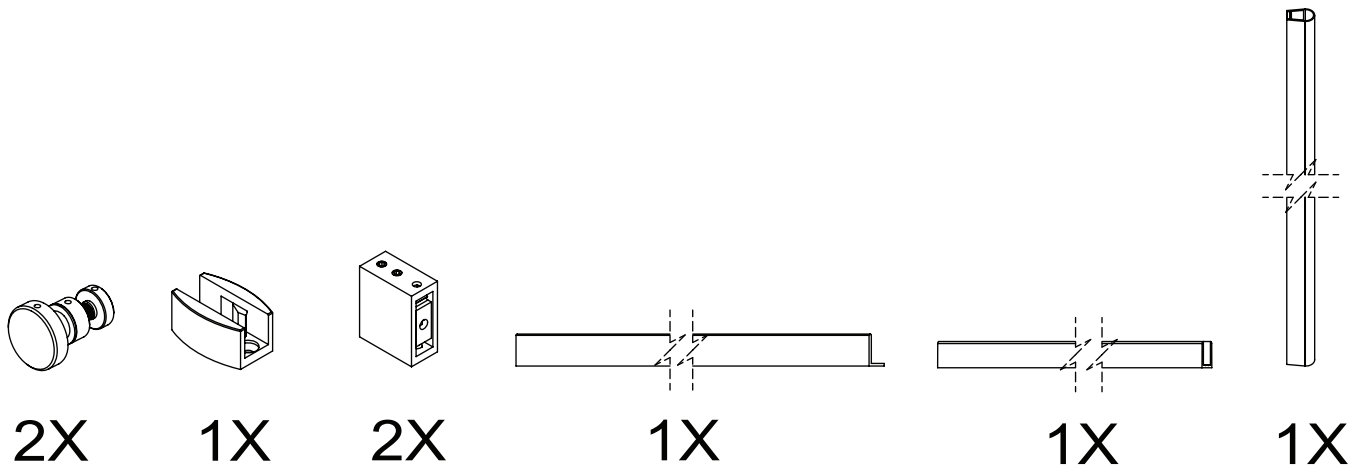
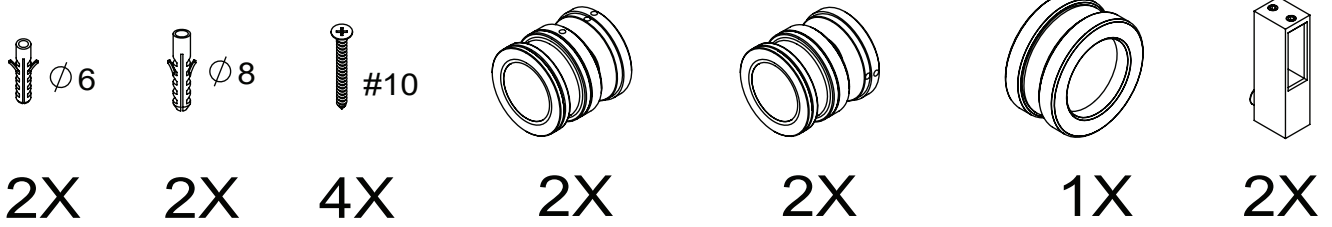
DANGER:

If this shower is installed with a cut-too-short track bar, wider fixed panel without extra W-T Fixings support, Bottom Anti-Lift Pins are not against the bar, misplaced stoppers, or slide the glass to hit the walls, THESE COULD RESULT IN SERIOUS INJURY.

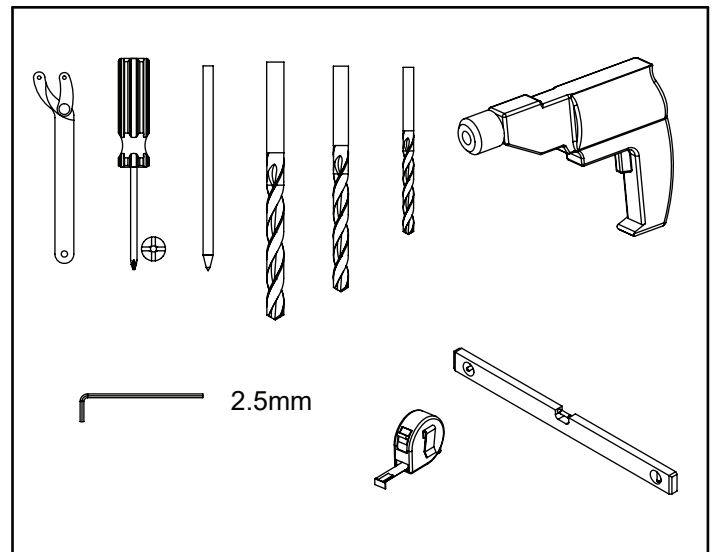
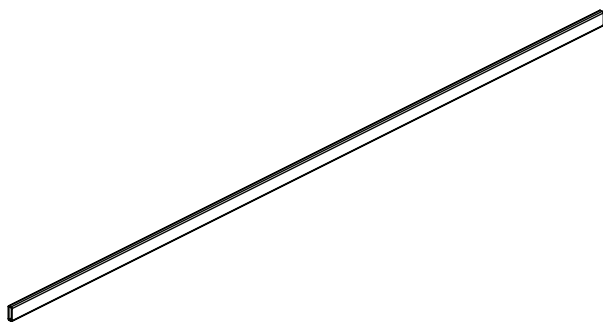
CONTACT INFORMATION:

EPCO focus on providing excellent products and services to all customers. For more information or if you have any questions regarding our products, please visit our website at www.epcocorp.com or contact us via email at info@epcocorp.com. We're here to help!

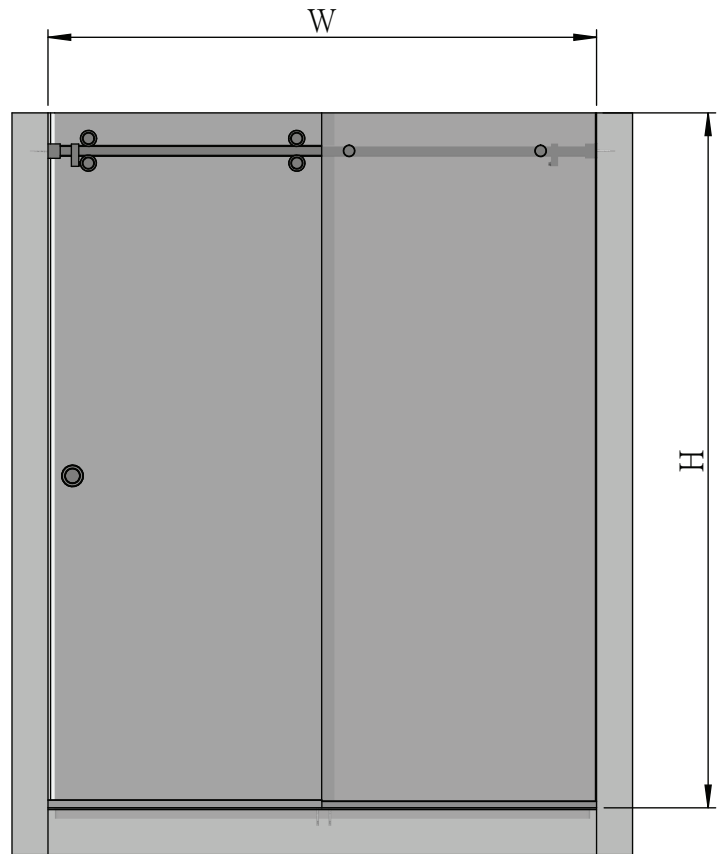
HARDWARE CONTAINS:



TOOLS REQUIRED:



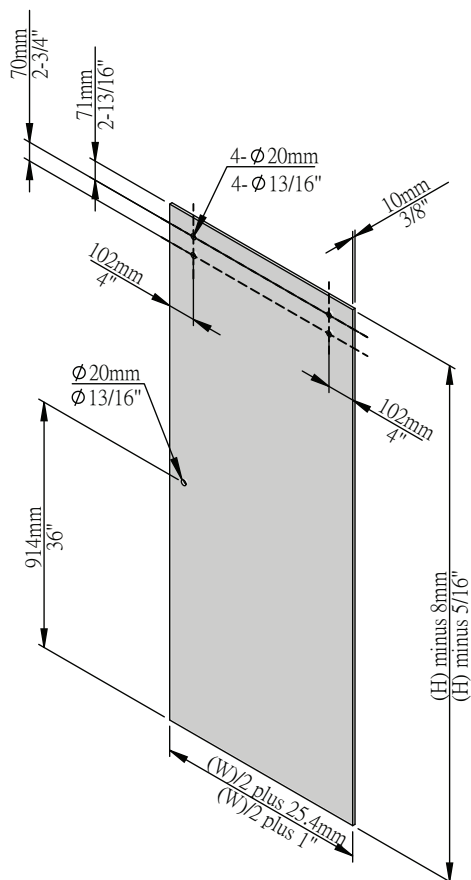
GLASS TEMPLATE:



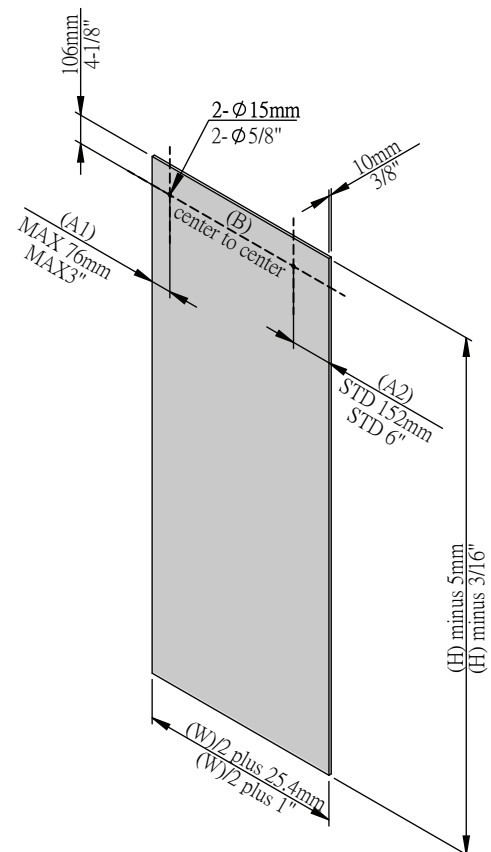
STANDARD KD:

Fits up to 60" wide opening.

DOOR PANEL

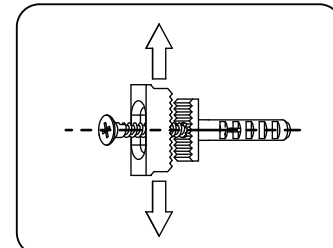
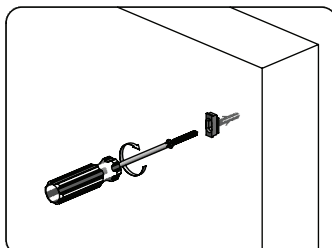
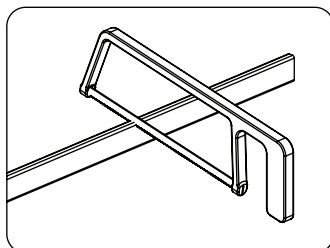
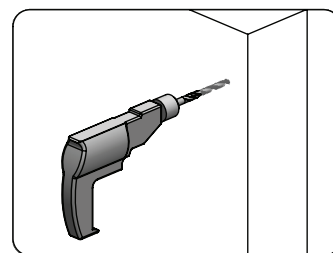
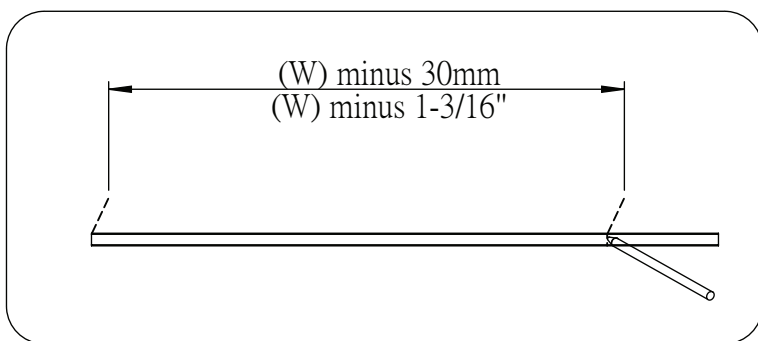
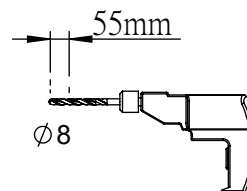
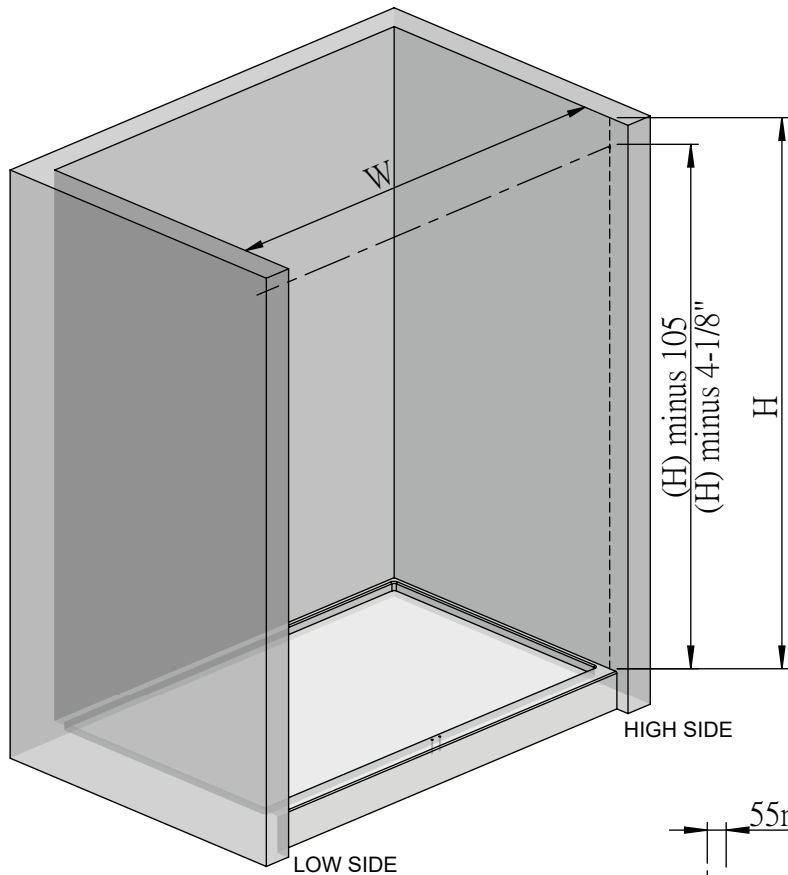


FIXED PANEL



INSTALLATION INSTRUCTIONS:

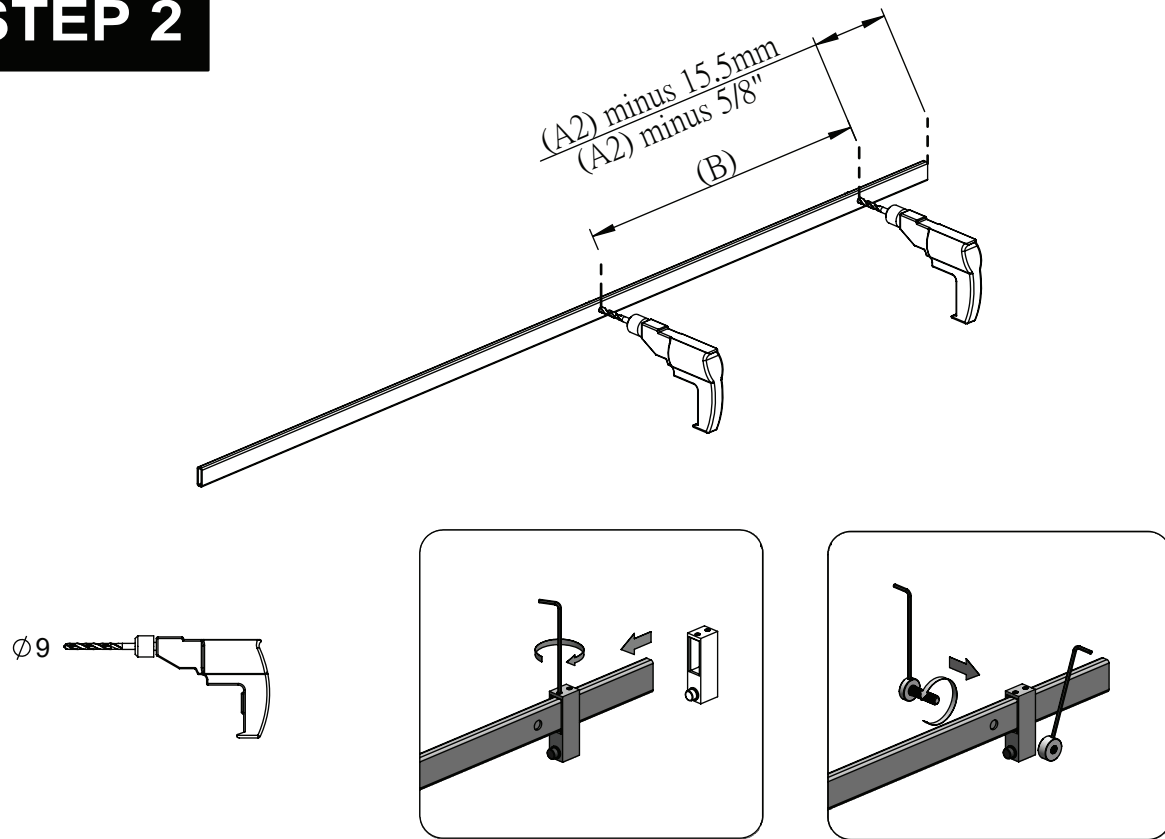
STEP 1



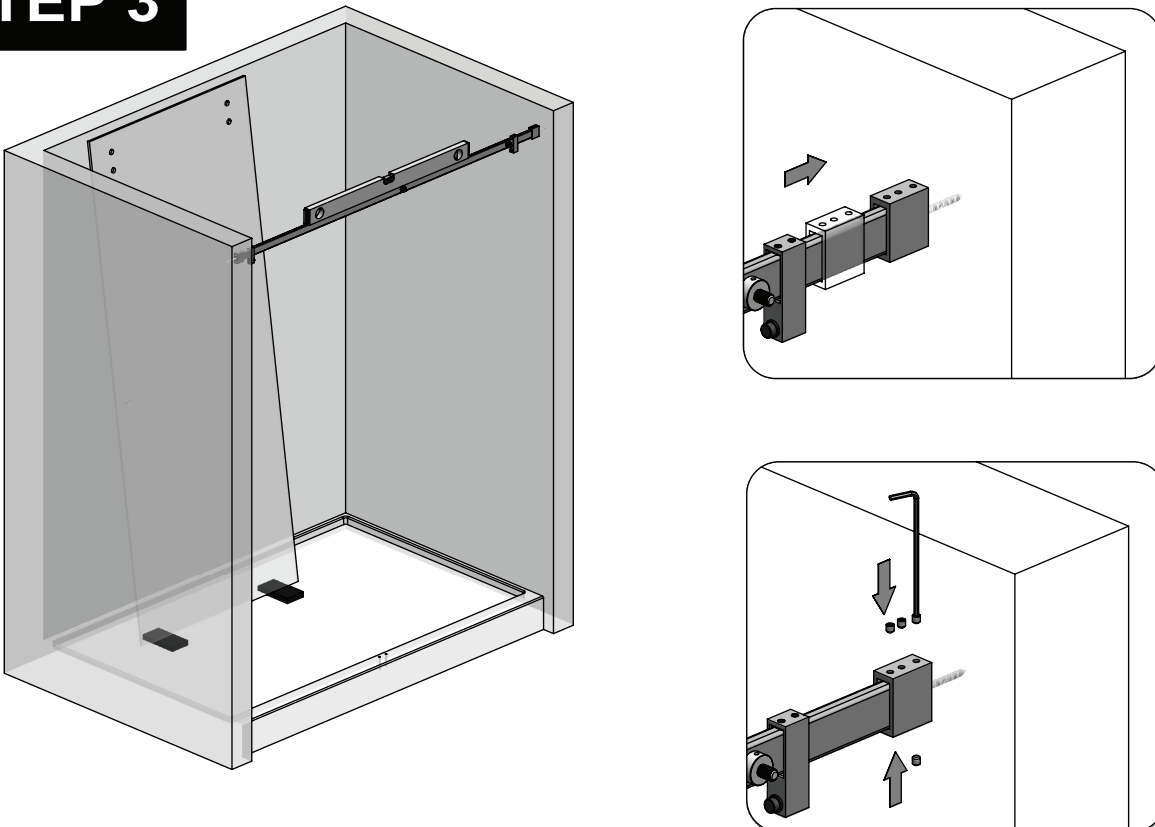
Mount wall fixing on high side of curb first. Level bar to mark opposite wall for second wall fixing.

Install mounting blocks centered to hole. If needed, move bigger block up or down to level bar.

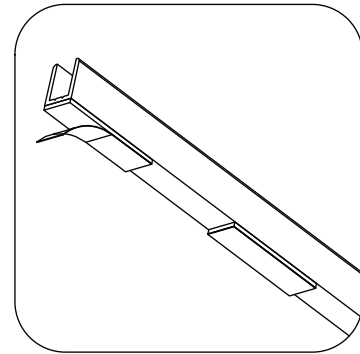
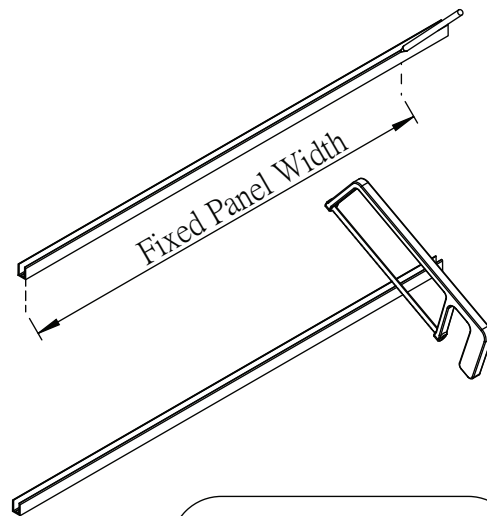
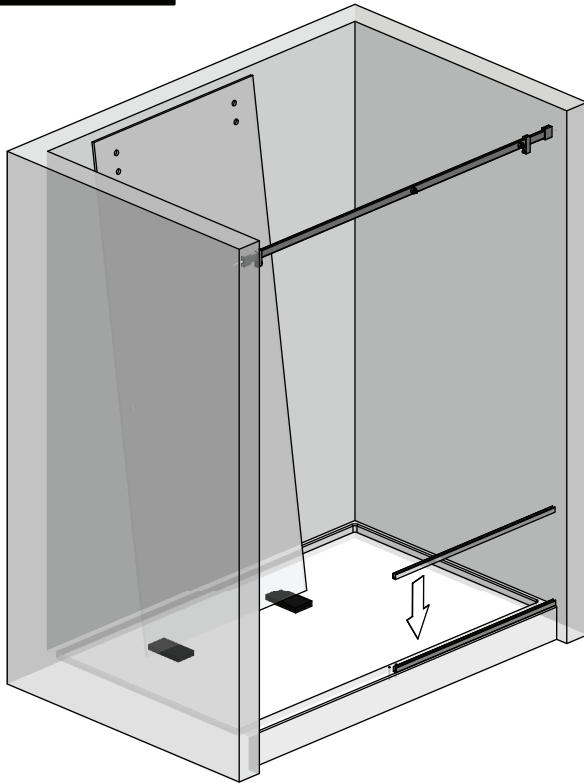
STEP 2



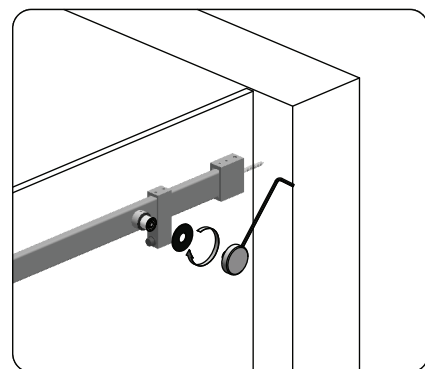
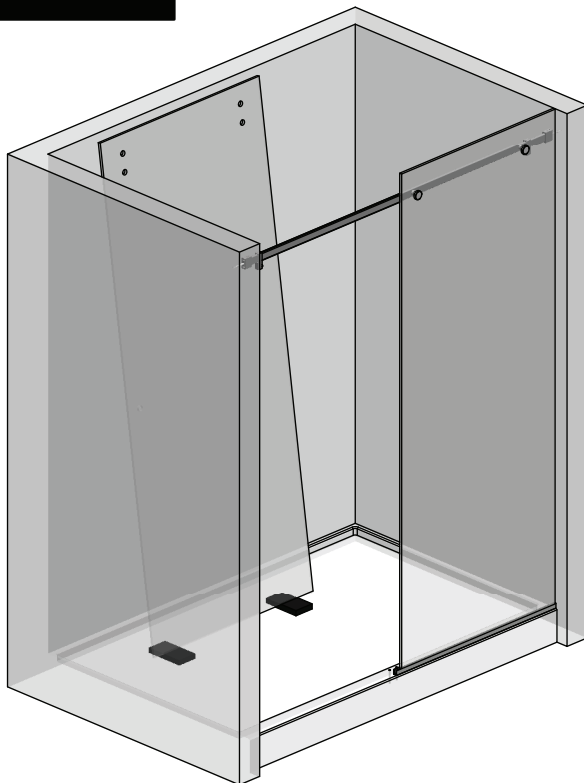
STEP 3



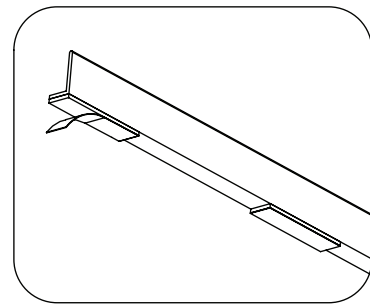
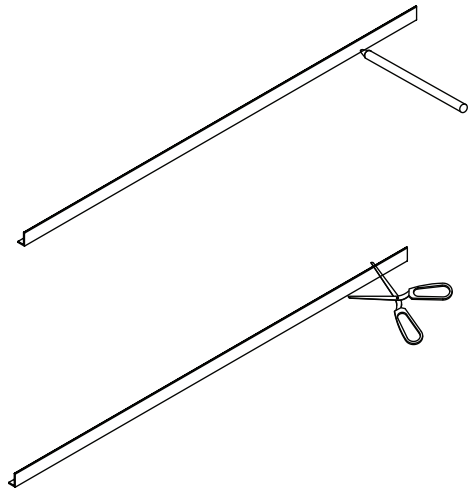
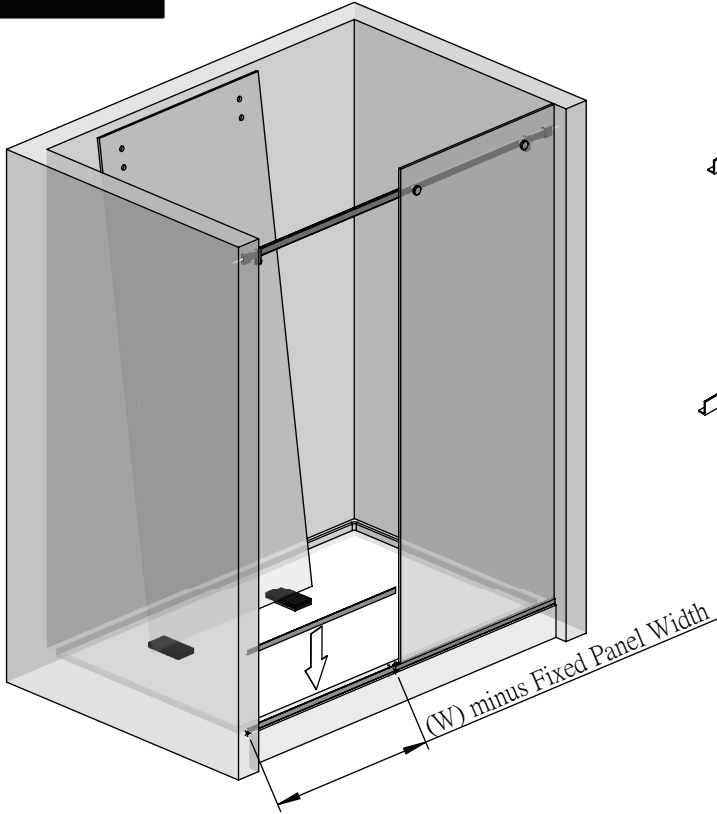
STEP 4



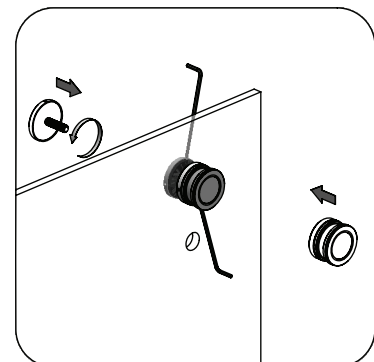
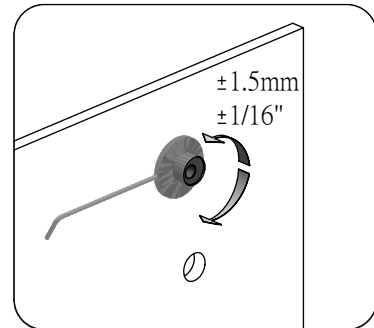
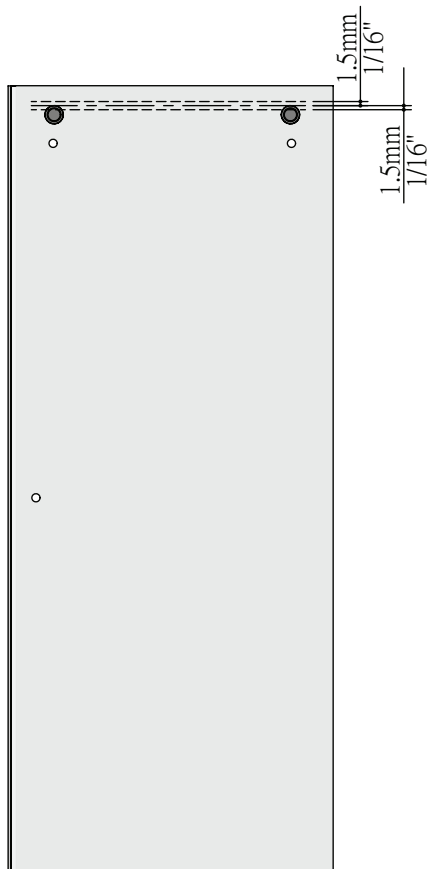
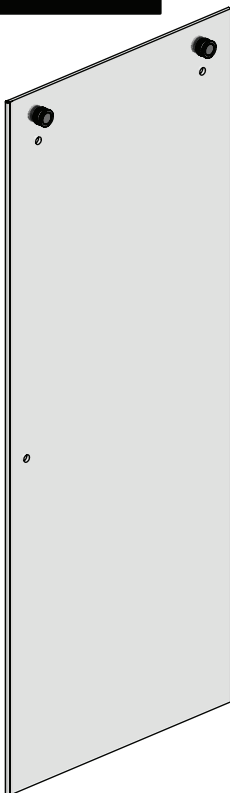
STEP 5



STEP 6

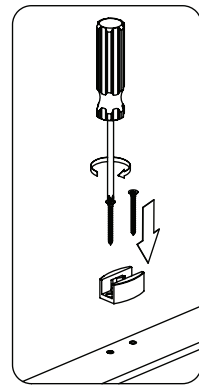
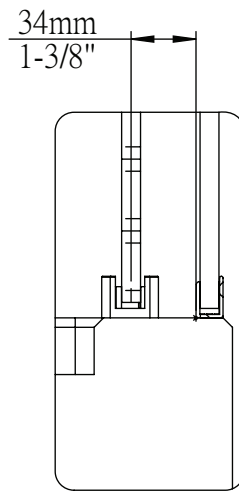
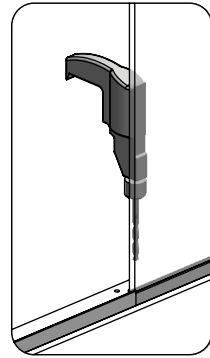
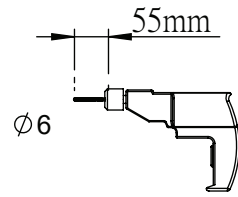
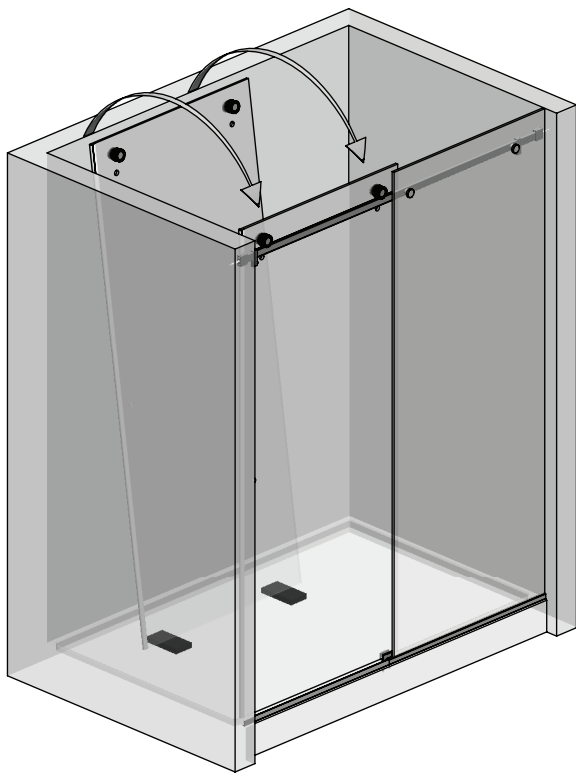


STEP 7

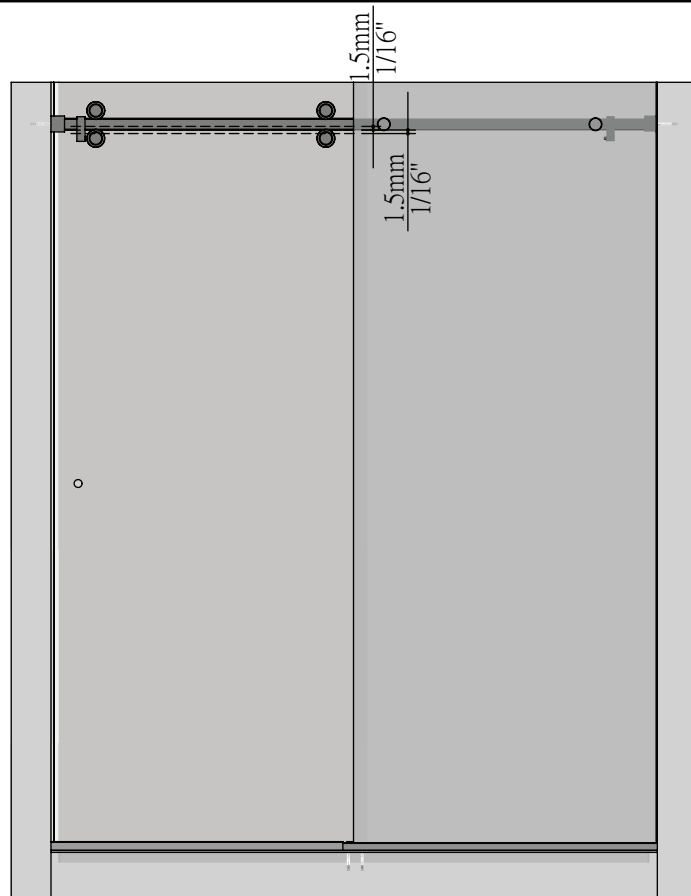
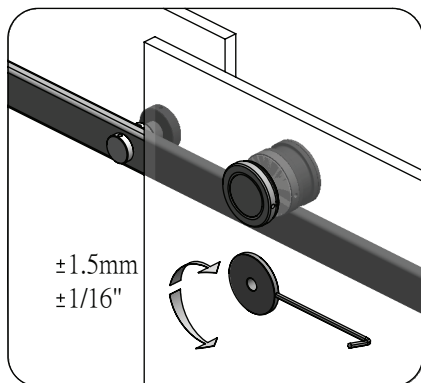


Install Top Roller (with bearing)

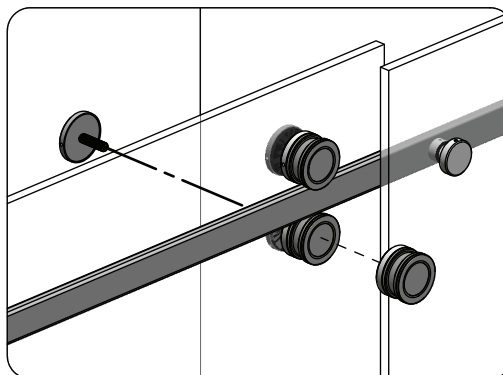
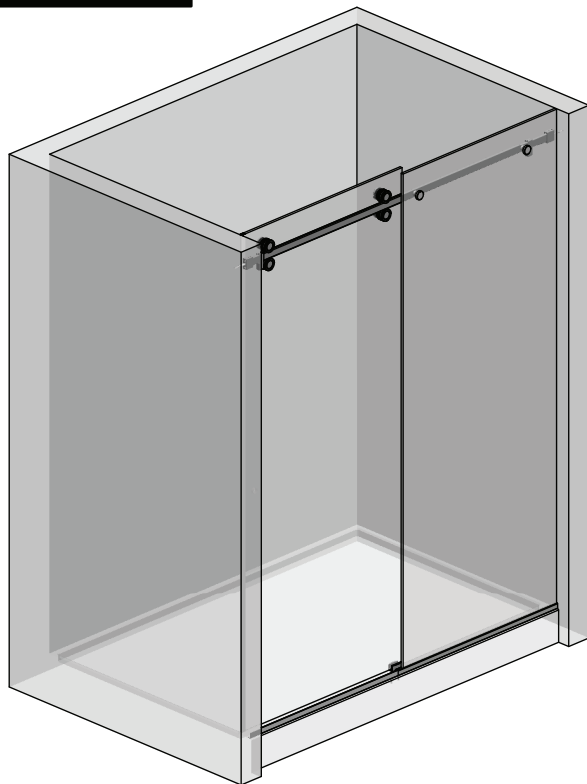
STEP 8



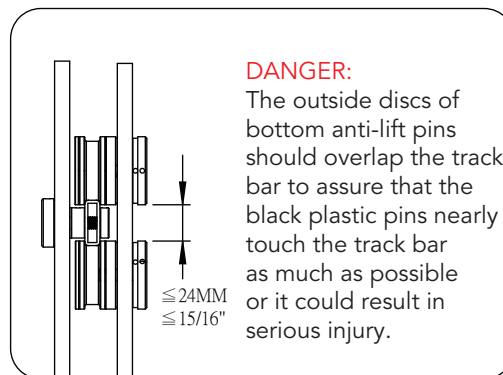
STEP 9



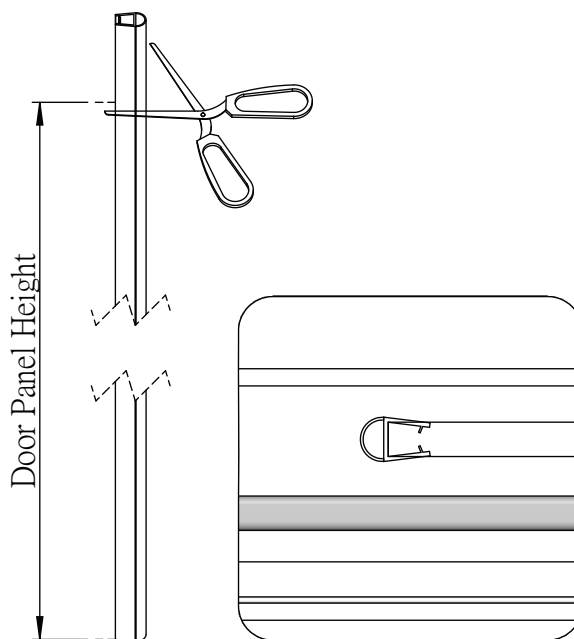
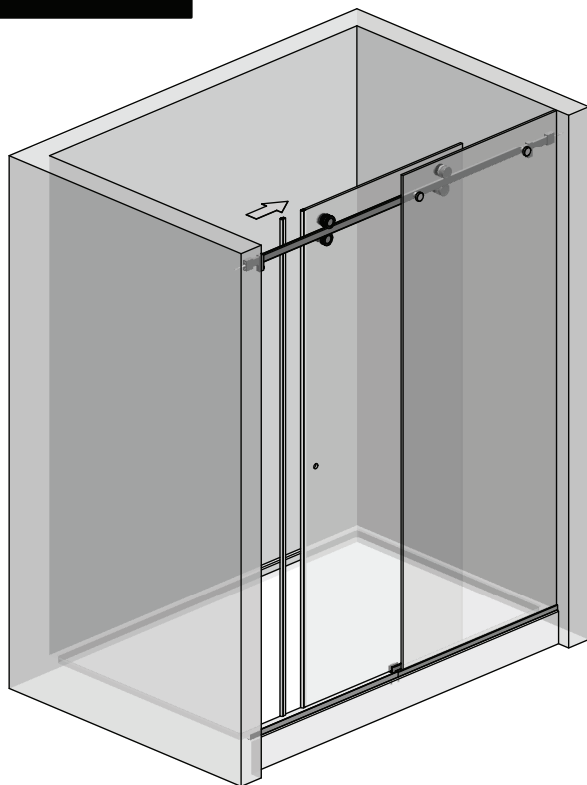
STEP 10



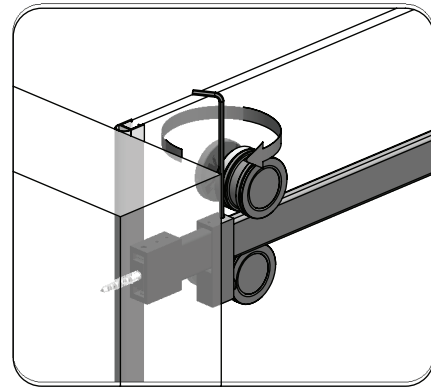
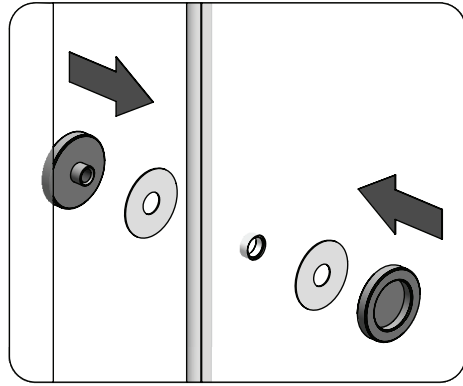
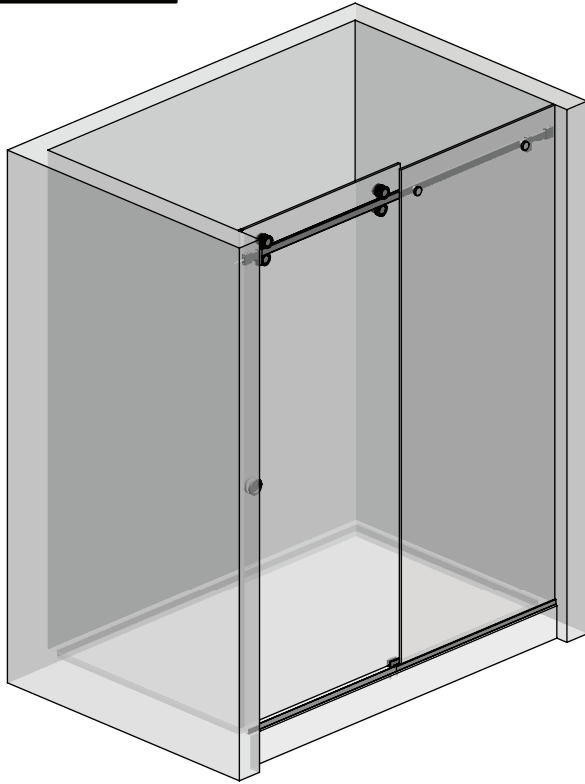
Install Bottom Anti-Lift Pin (without bearing)



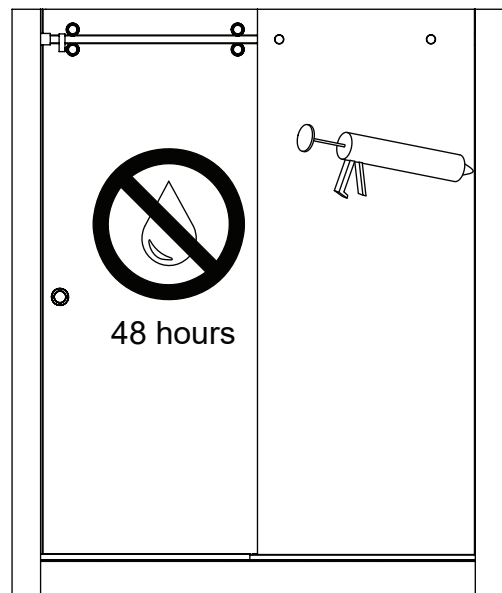
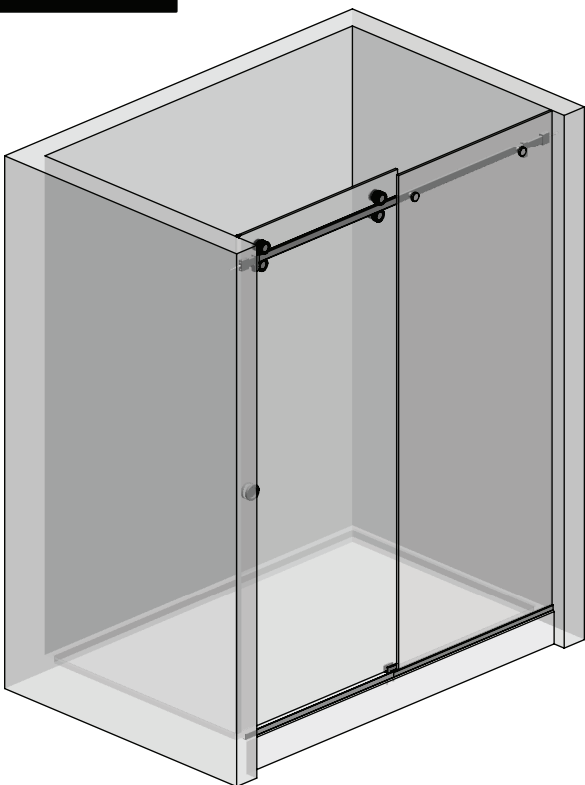
STEP 11



STEP 12



STEP 13



LET CAULKING CURE FOR 48 HOURS BEFORE USE