



GPC Heavy Duty Swivel Fitting

The Titan series is a heavy duty swivel fitting for curtain wall systems. The nature of one-direction adjustability make it an easy application to connect different angles of adjacent glass panels other than 90 degree . It is compatible with fixed bolts and articulated bolts

FEATURE HIGHLIGHTS

- Material: SUS316
- Stainless steel hardware finishes available
- One-directions adjustability
- Swivel Range: 220 degree
- Compatible with fixed bolts and articulated bolts

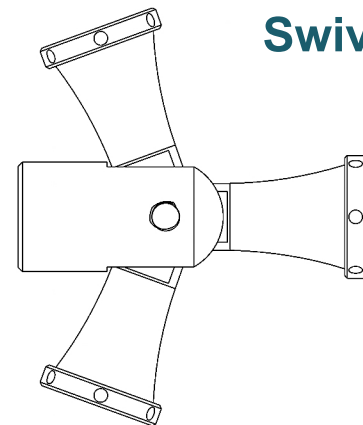


TITAN

GPC01-2.3D



GPC01-2.3



Swivel Range:220 Degree



