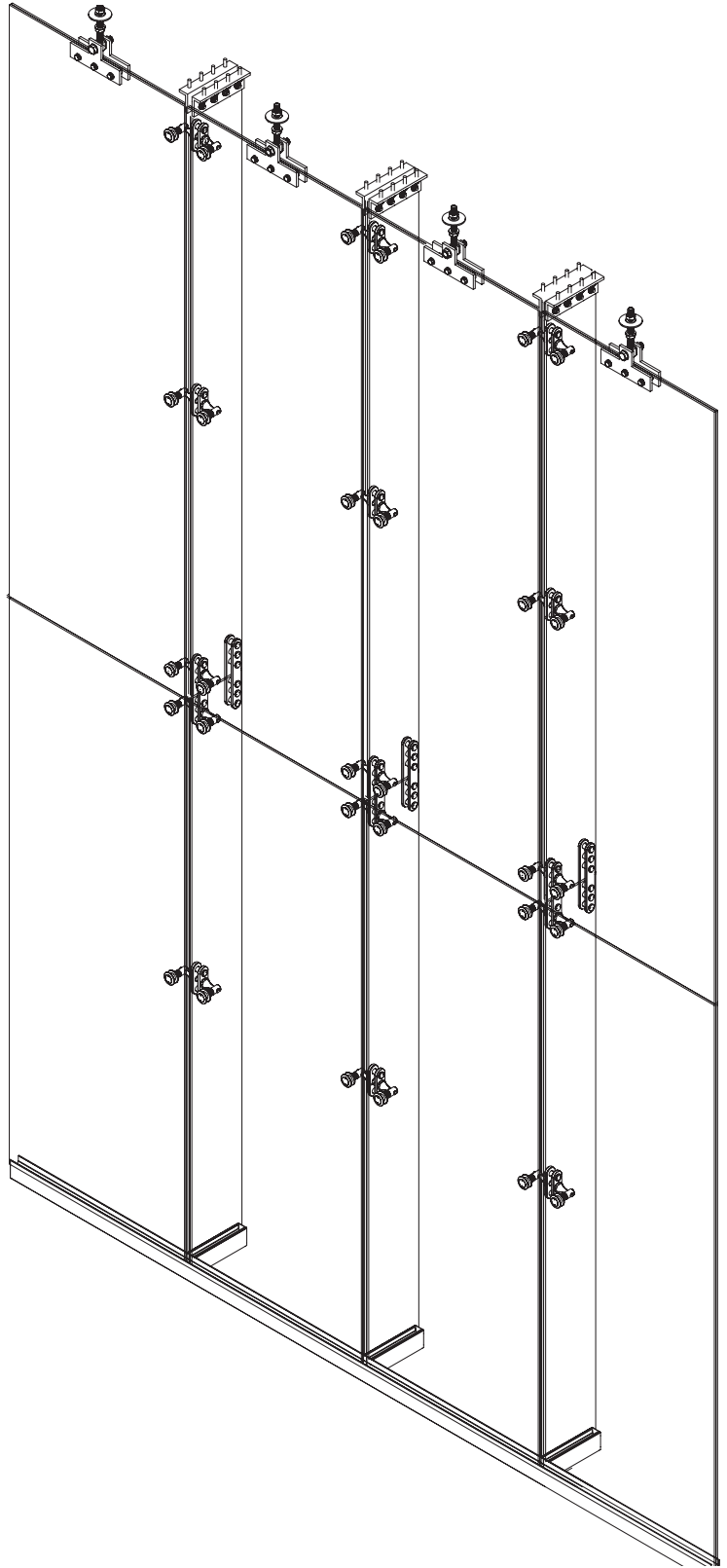




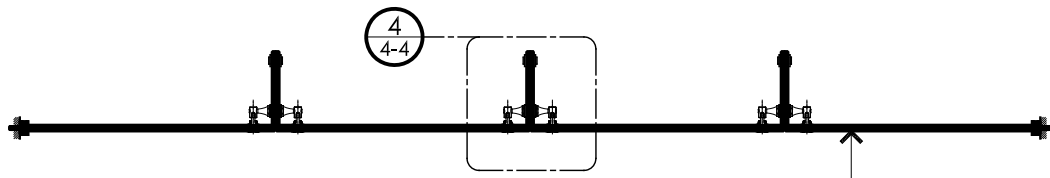
POINT SUPPORTED SYSTEM

GPK-2.3D LAMINATED GLASS



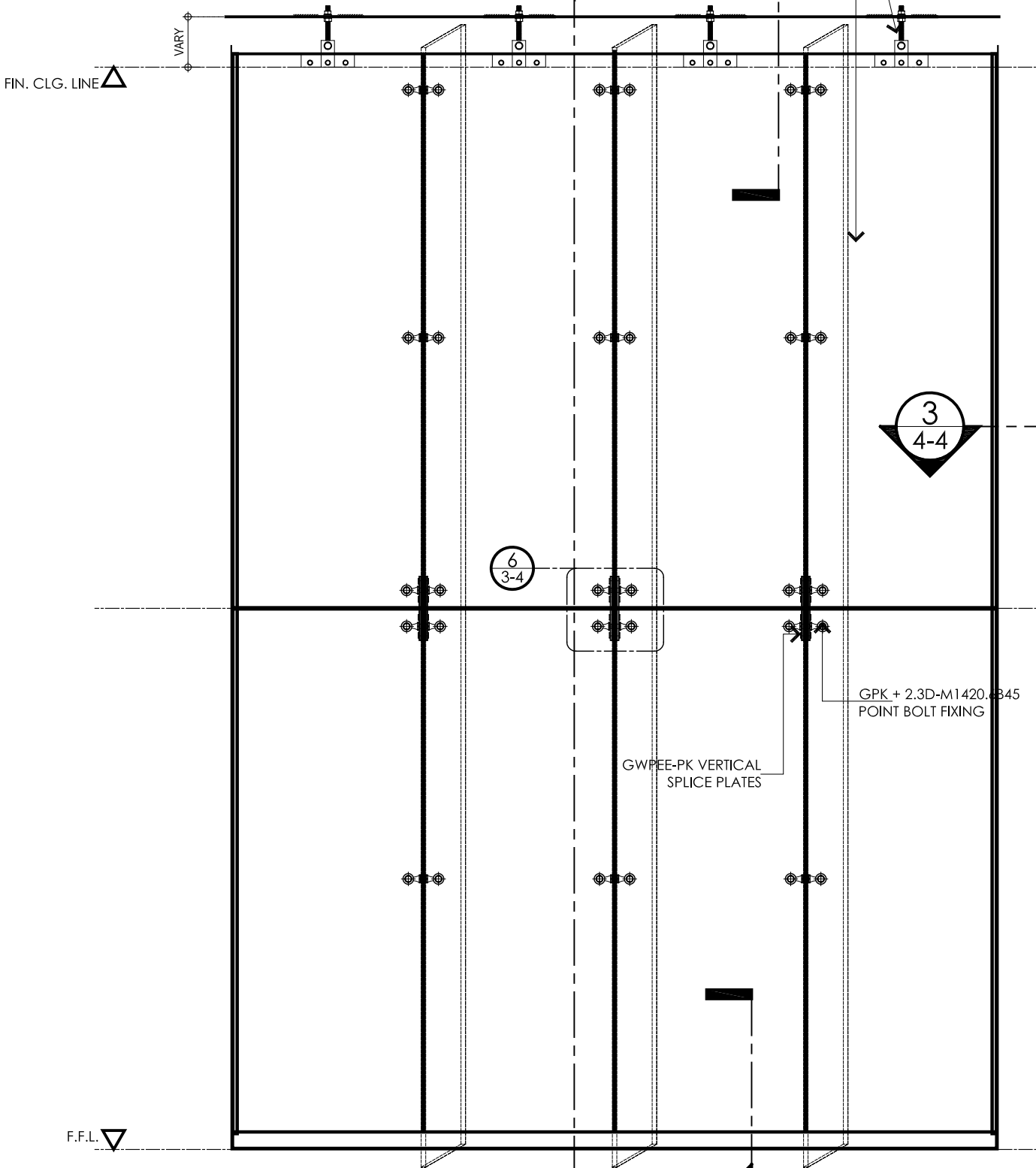
GENERAL NOTES

- Architect to provide design loads for projects.
- Glass sizes are to be determined pending final analysis. Architect to provide glass specifications.
- EPCO Fittings style / type and hardware may vary from details.
- EPCO is not responsible for the steel structure or design thereof.
- All structural drawings for the project must be submitted and reviewed by EPCO for coordination purposes.



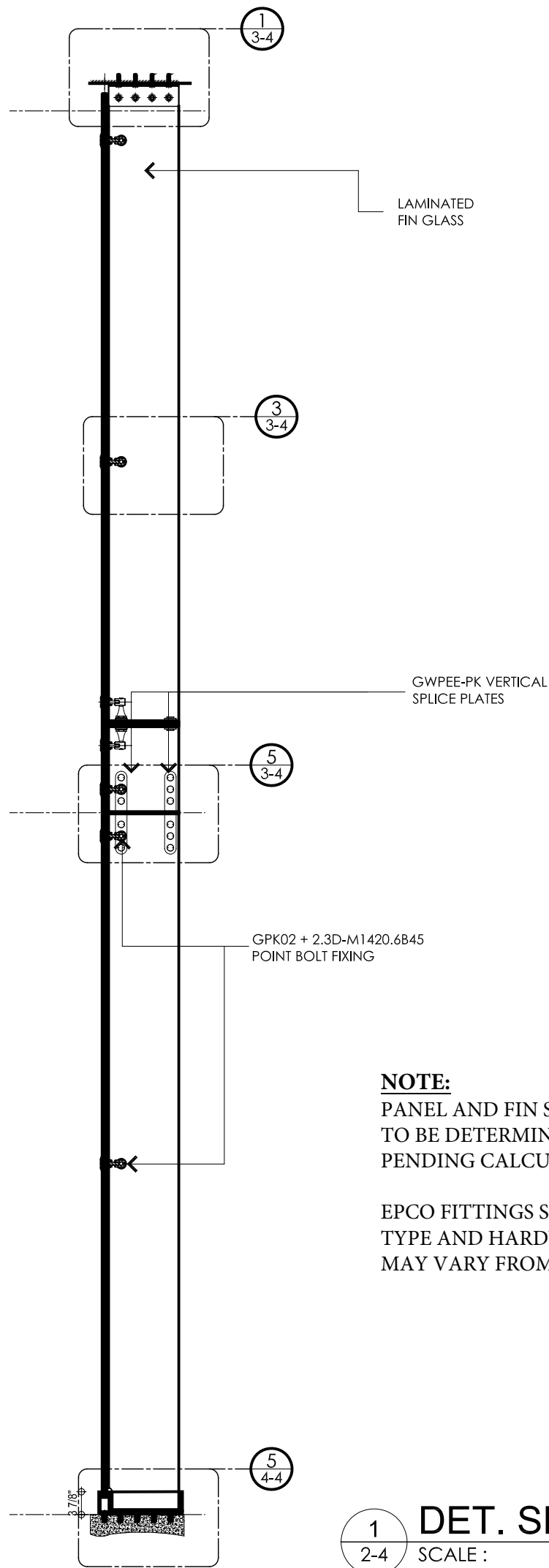
1 DETAILED PLAN
 1-4 SCALE : NOT TO SCALE

LAMINATED
 CLEAR TEMPERED GLASS
 EPCO FSP-2



2 DETAILED ELEVATION
 1-4 SCALE : NOT TO SCALE

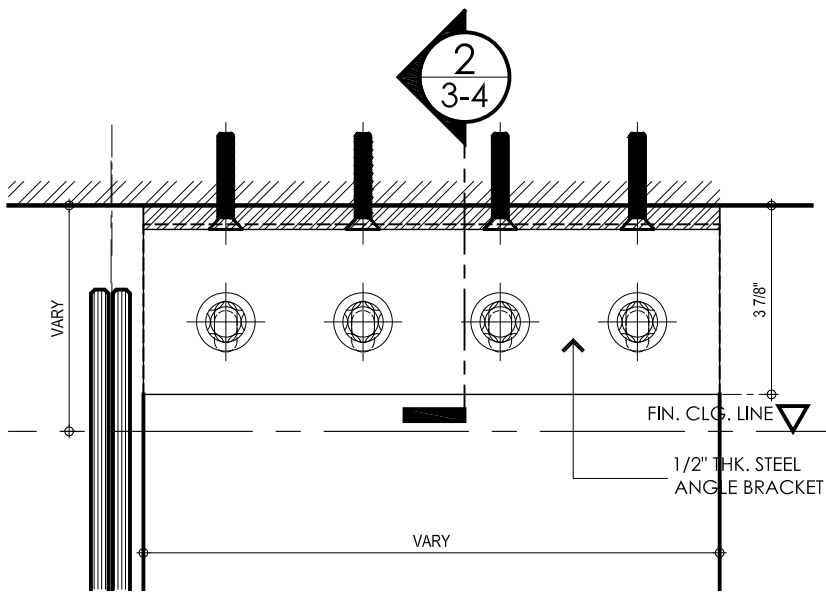




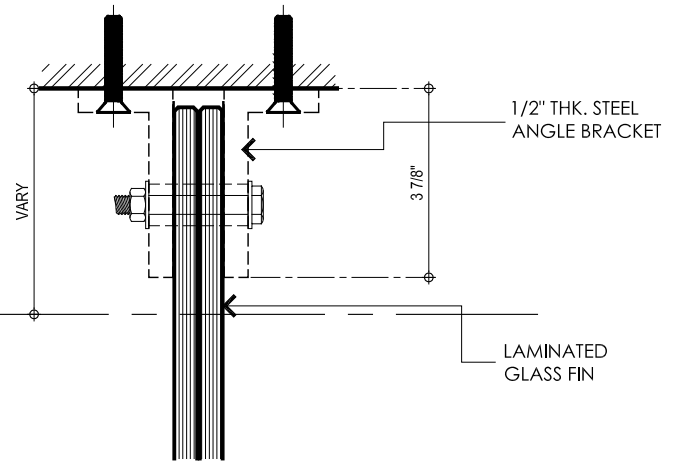
NOTE:
 PANEL AND FIN SIZES ARE
 TO BE DETERMINED
 PENDING CALCULATIONS

EPCO FITTINGS STYLE/
 TYPE AND HARDWARE
 MAY VARY FROM DETAIL

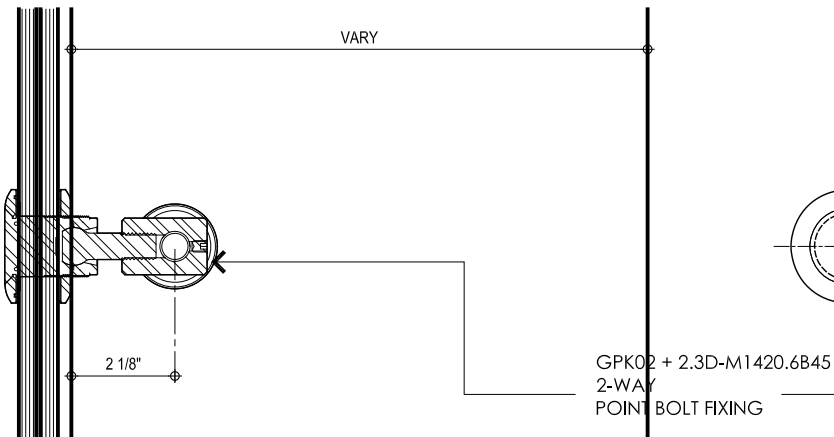
1 **DET. SECTION 01**
 2-4 SCALE : NOT TO SCALE



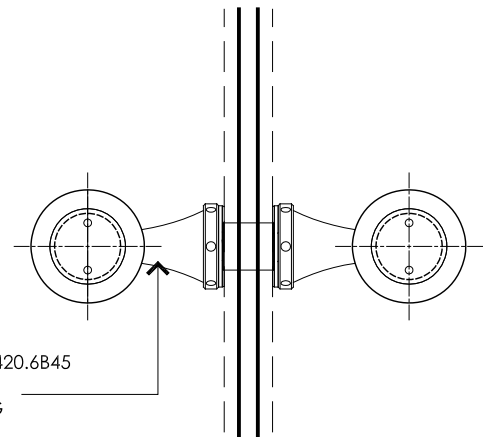
1
3-4 **DETAIL 01**
SCALE : NOT TO SCALE



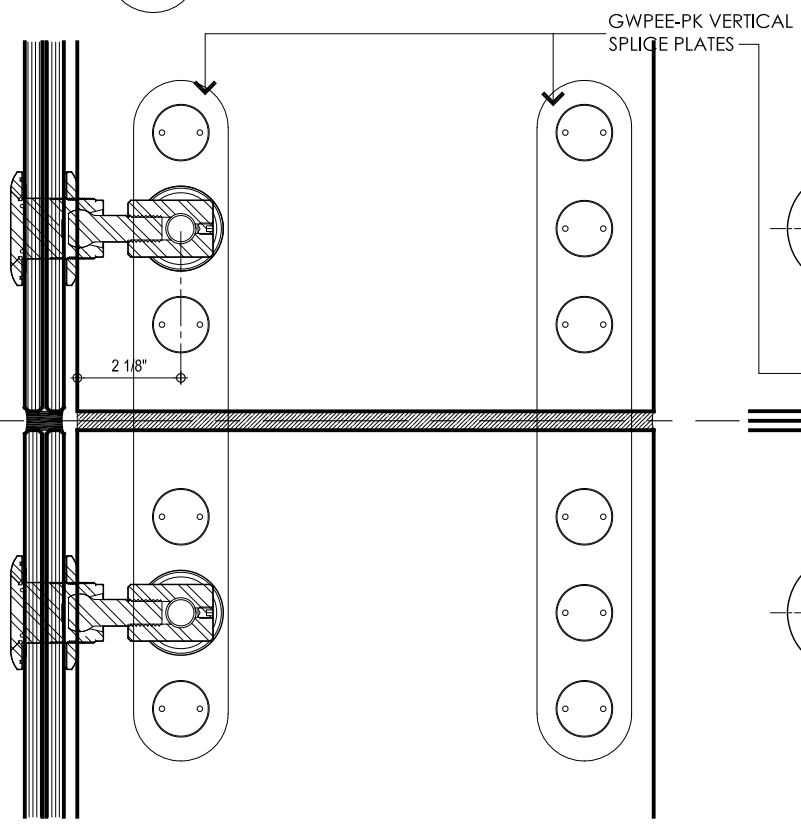
2
3-4 **DETAIL 02**
SCALE : NOT TO SCALE



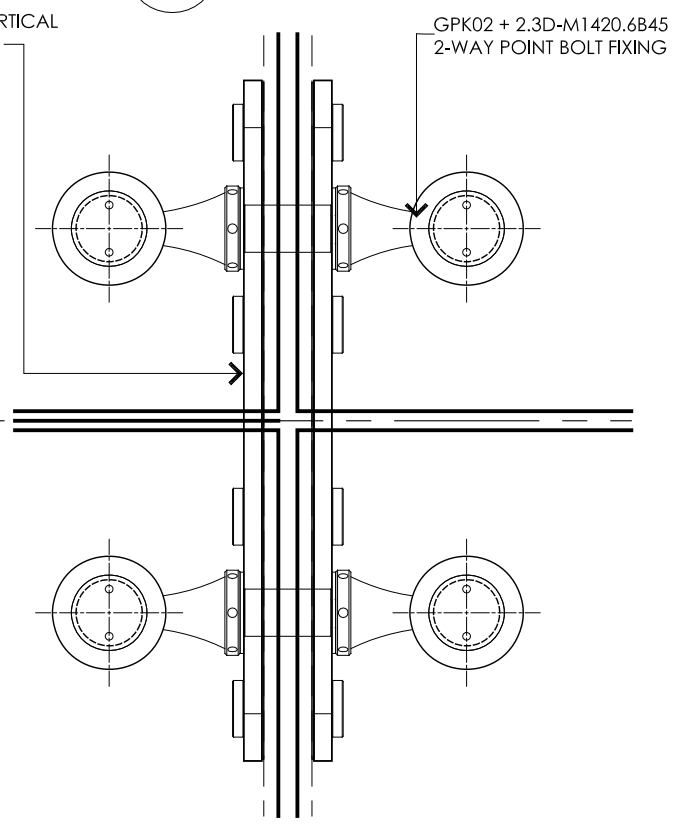
3
3-4 **DETAIL 03**
SCALE : NOT TO SCALE



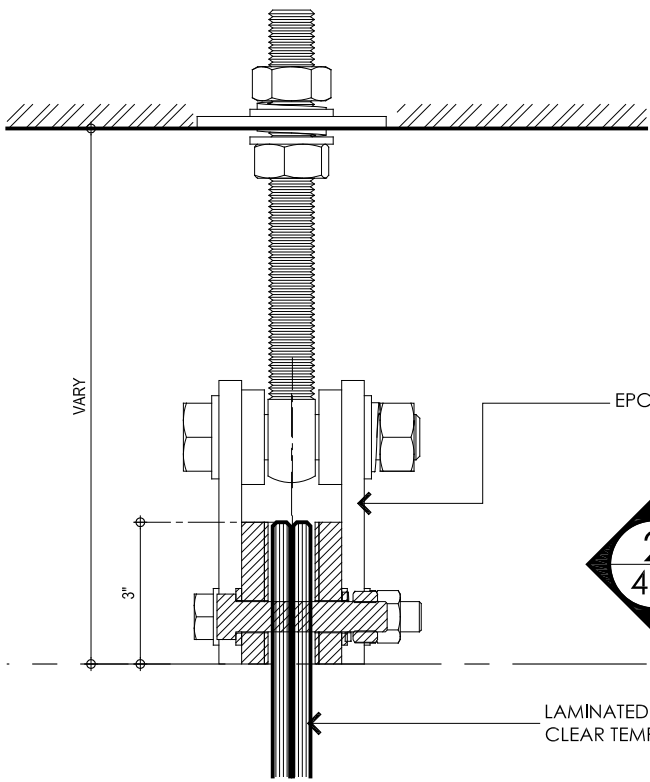
4
3-4 **DETAIL 04**
SCALE : NOT TO SCALE



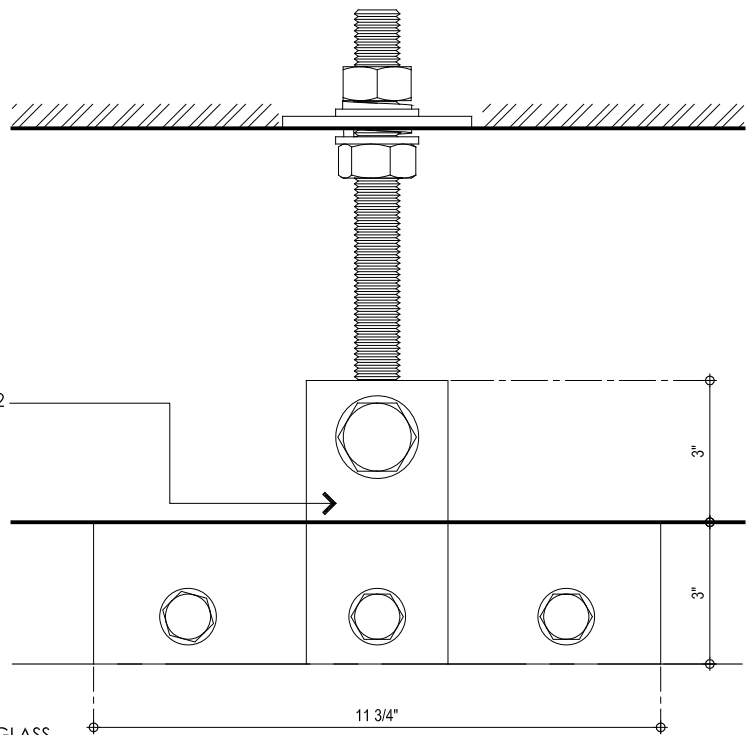
5
3-4 **DETAIL 05**
SCALE : NOT TO SCALE



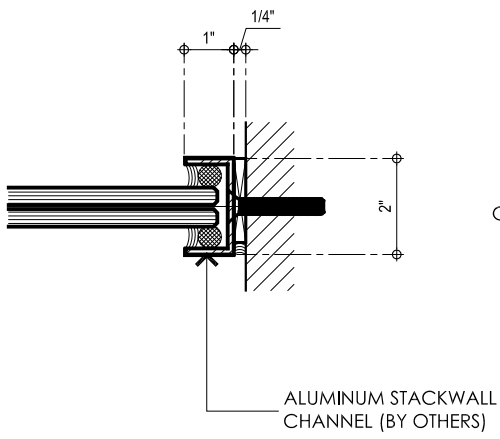
6
3-4 **DETAIL 06**
SCALE : NOT TO SCALE



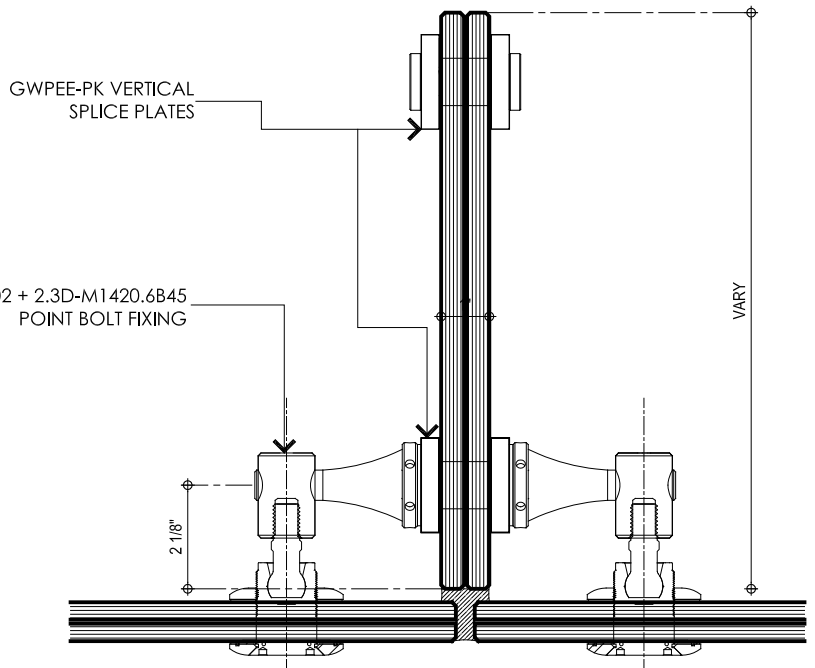
1
4-4
DETAIL 07
SCALE : NOT TO SCALE



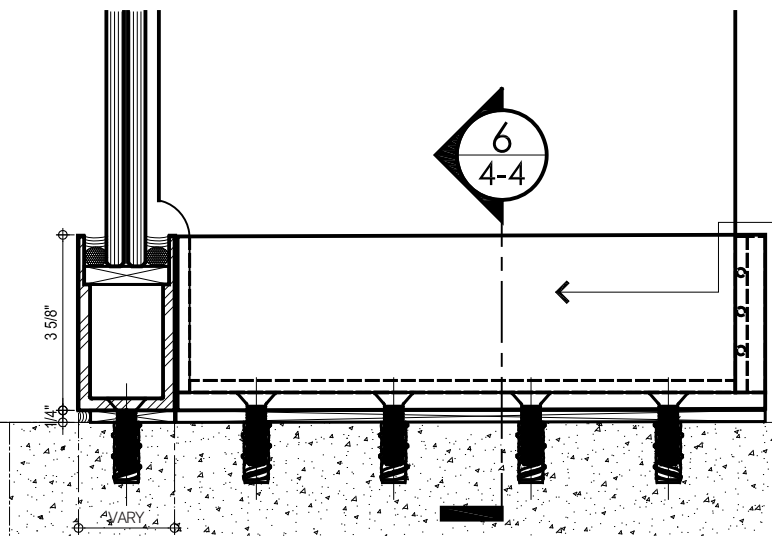
2
4-4
DETAIL 08
SCALE : NOT TO SCALE



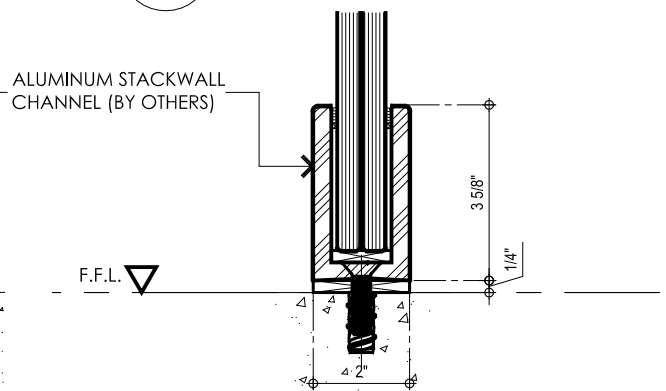
3
4-4
DETAIL 09
SCALE : NOT TO SCALE



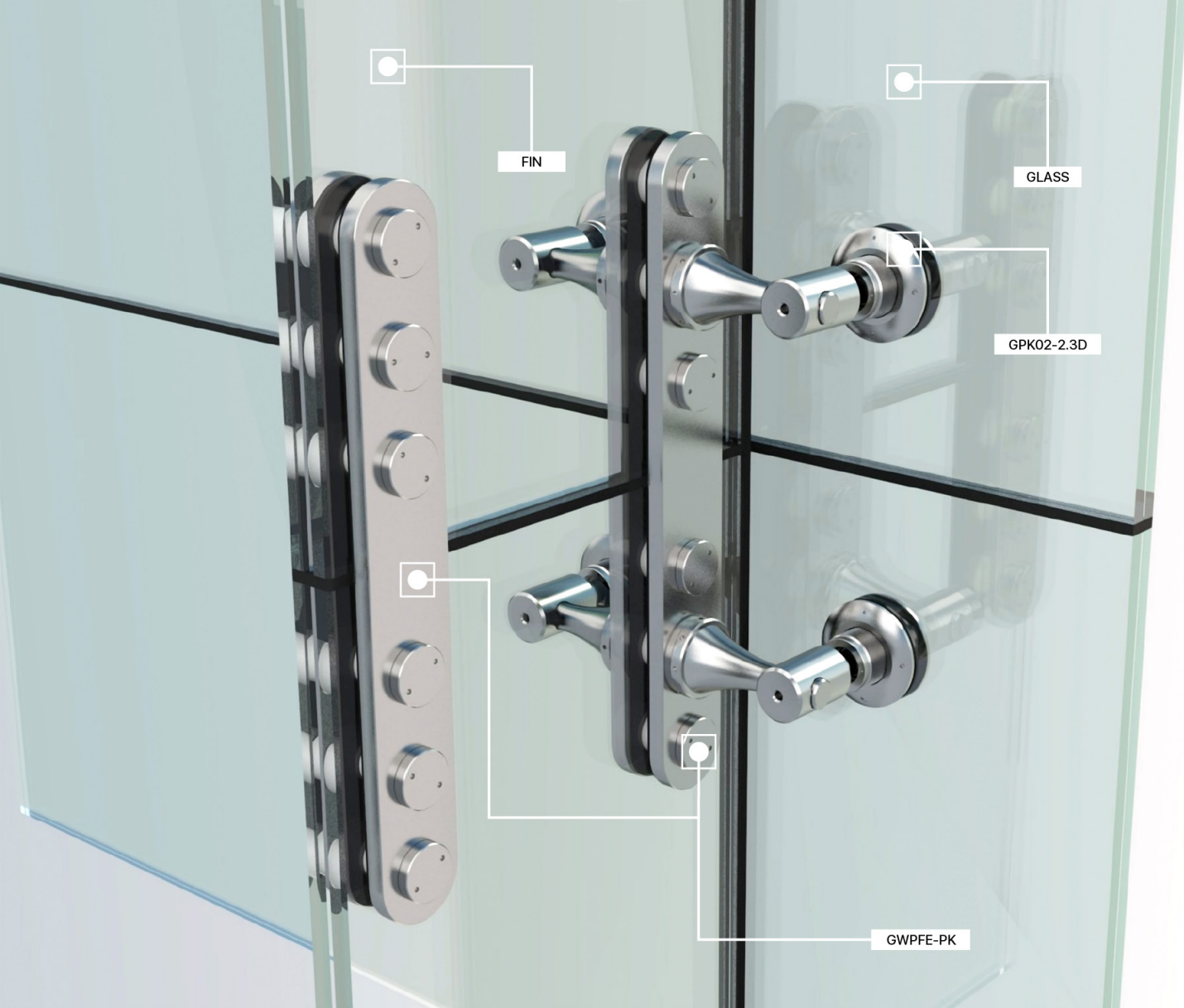
4
4-4
DETAIL 10
SCALE : NOT TO SCALE



5
4-4
DETAIL 11
SCALE : NOT TO SCALE



6
4-4
DETAIL 12
SCALE : NOT TO SCALE



Website: www.epcocorp.com
Email: info@epcocorp.com