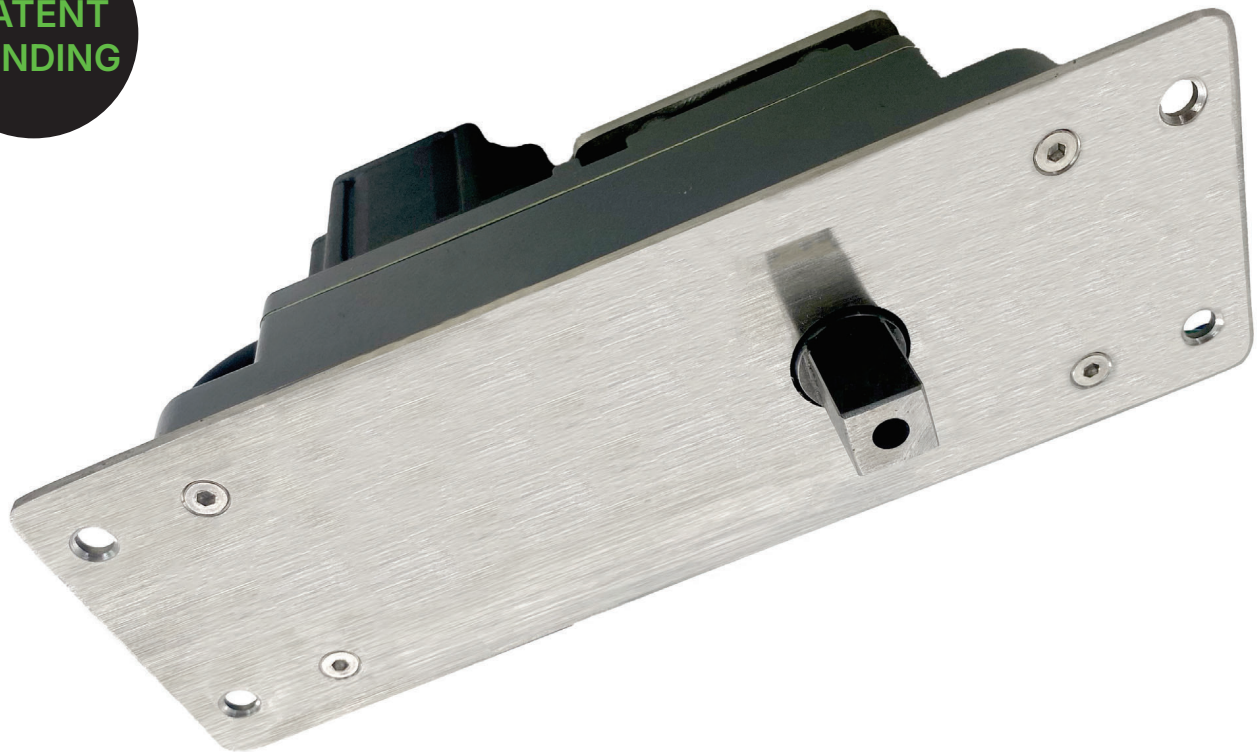


AI-Powered Overhead Concealed Operator

For Automatic Swing Door

PATENT
PENDING



MODEL: AD-150

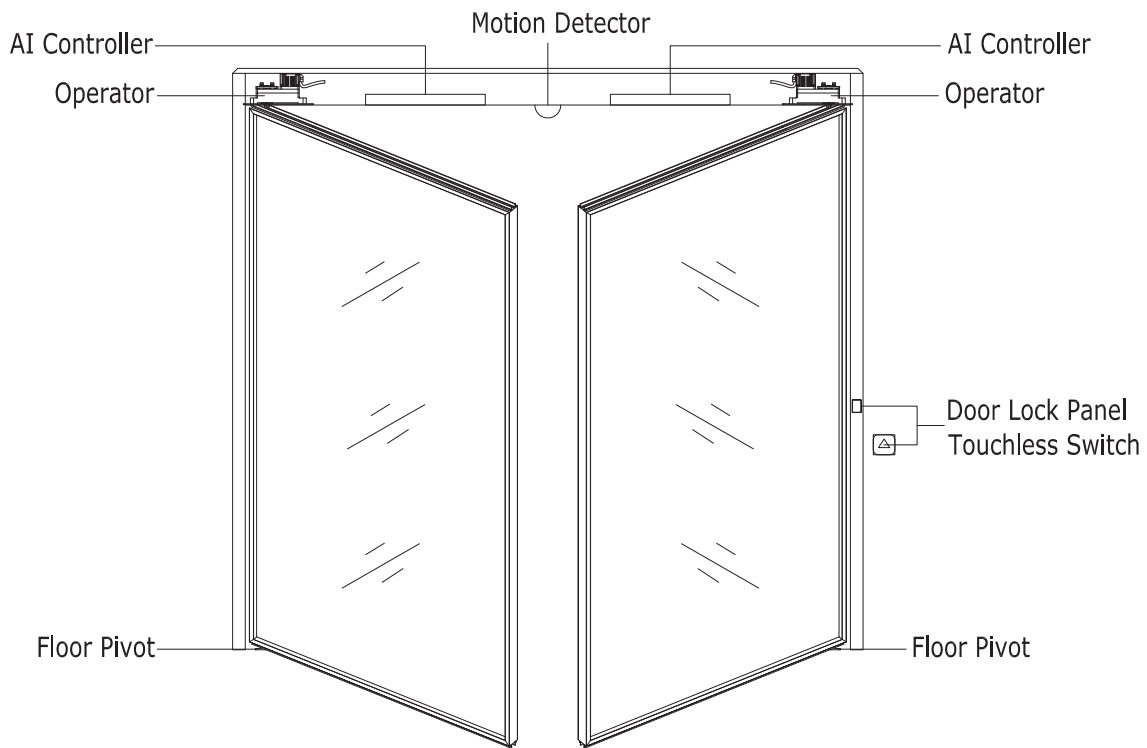
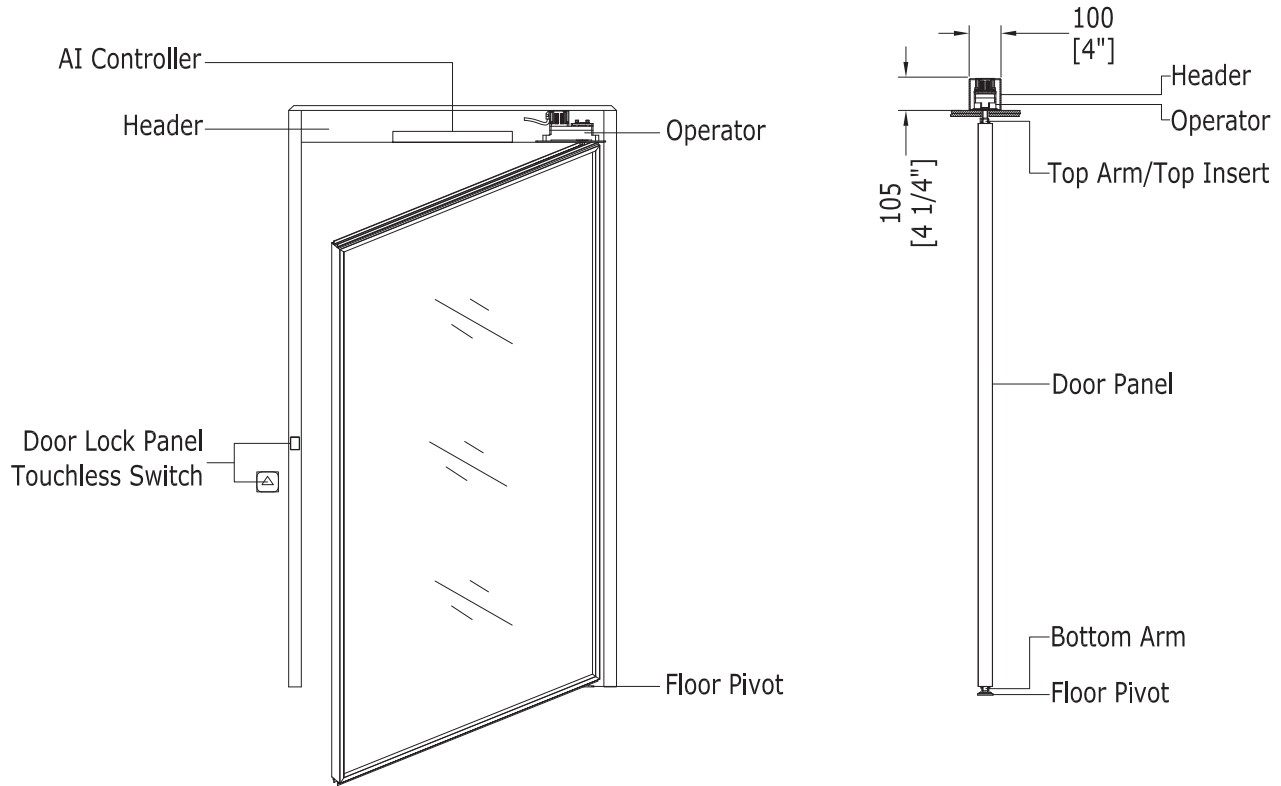
EPCO Electric Automatic Swing Door Solutions

→ Sleek and seamless: hidden beauty
→ Effortless installation: super easy setup

→ Plug and play: simple wire connection
→ Whisper quiet: ultra low operating sound

EPCO Electric Auto Swing Door AI Operator

This AI-Powered Overhead Concealed Operator offers versatile installation options, accommodating both single and double swing door configurations. With a maximum torque of 45Nm (33 lbft), it can effortlessly handle doors weighing up to 150kg (330 lbs), ensuring seamless automated operation. Designed to enhance building entrances, it provides automated, barrier-free access without altering the aesthetic appearance. Ideal for residential, clubhouses, office spaces, hotels, healthcare facilities, and commercial buildings, this product meets the needs of both new construction and renovation projects.



EPCO Electric Auto Swing Door AI Operator

Specifications

| | |
|--------------------------------------|---|
| Model | AD-150 |
| Operator | Electro-mechanical, non-handed |
| Core Motor | Permanent Magnet Synchronous Motor |
| Material | Aluminum Alloy/Nylon |
| Load Capacity | Designed for doors weighting up to 150 kg (330 lbs) and up to 1219 mm (48 in) wide |
| Motor Voltage | 24V |
| Motor Power | 60W |
| Output Torque | 45 Nm (33 lb ft) |
| Reduction Ratio | 1:130 |
| Power Supply | AC100-240, 50-60Hz |
| Power Output | DC 24V, 3.33A, 80W |
| Ambient Temperature | -20°C to 40°C (-4°F to 104°F) |
| Unit Dimensions | 161 x 80 x 92 mm (6.34 x 3.15 x 3.62 in) |
| Unit Weight | Approximately 2.5 kg (5.5 lbs) |
| Opening Direction | Single Direction Up To 90 Degrees |
| Controls | Automatic on/off, touch on/touch off, Hold Open Switch, Push-n-Go |
| Opening Time | 3 seconds (factory Setting), adjustable up to 9 seconds upon request |
| Closing Time | 7-8 seconds (factory Setting) |
| Hold-Open Time | 1.5 seconds (factory Setting), adjustable up to 15 seconds upon request (auto mode on); or manual and remote control to remain hold-open until it's released. |
| Unlock Delay | 3 seconds (factory Setting), adjustable between 1 and 5 seconds upon request |
| Mounting | Overhead Concealed |
| Door Types | Ideal for Aluminum Framed Doors, Frameless Glass Doors, Hollow Metal Steel Doors Solid Core Wood Doors |
| Factory Settings Upon Request | |
| Closing speed | 90-15 degrees, 4 seconds, not adjustable |
| Latching Speed | 0-15 degrees, 3-4 seconds |
| Opening Speed | 3-9 seconds |
| Hold-Open Time | 1.5-15 seconds |
| Unlock Delay | 1-5 seconds |
| Obstruction Sensing | Activates when a force exceeding 15 kg (33 lbs) is detected continuously for more than 1.5-3 seconds |

EPCO Electric Auto Swing Door AI Operator

Features

AI-Powered Operator

Microprocessor Control

Automatic AI-Driven Door: Transform your manual swinging door

High Torque: Enables automated hinges without the needs for additional arm leverage

Fast Response Time: Opens instantly (factory setting includes a 3 second delay if an electric lock is used)

Built-in Braking: Simple startup, just connect the power

RS485 Communication: Adheres to the current industry standard for electronic signal transmission.

Ultra-quiet functionality: Smooth operation when opening and closing the door

Activation Options: Available with hands-free or push-to-open activation switches

Easy Installation and Low Maintenance

Industry Grade BLDC Motor Drive

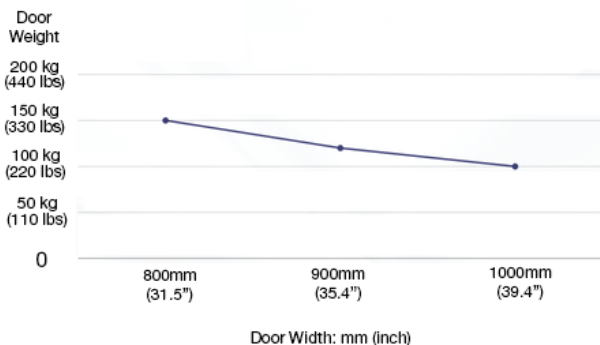
Low Energy Consumption

Power Failure Mode: Operates as Free Swing during power outages. For automatic closing at all times, install a UPS (Uninterruptible Power Supply) system or an ANSI EN2 door closer.

Lock Options: Choose between two types of electric locks: one that unlocks during a power failure and one that does not. Alternatively, use a traditional lock with keys and thumbturns.

Warranty: Enjoy peace of mind with our limited 5-year warranty.

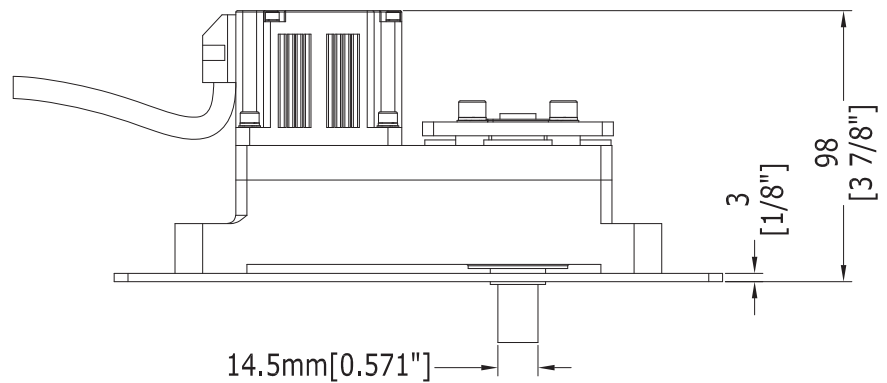
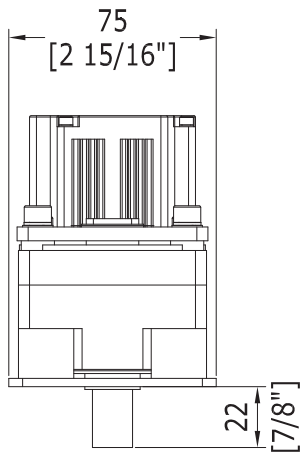
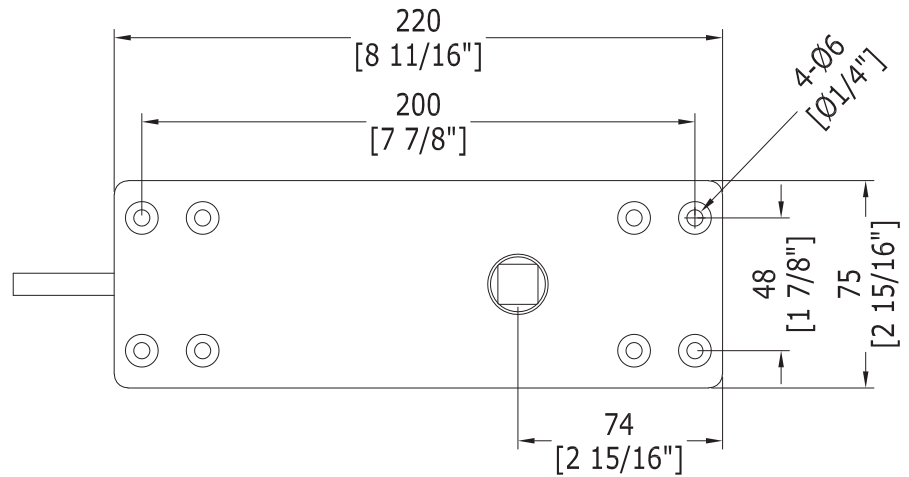
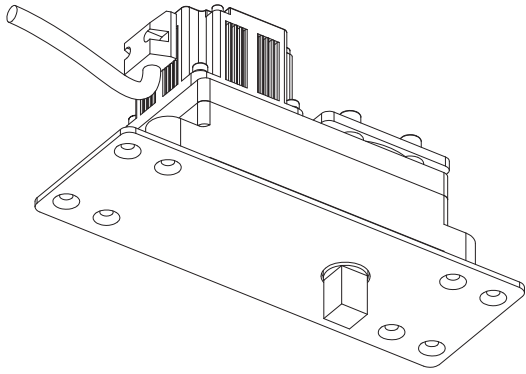
Door Weight and Door Width Chart



The door width and weight chart allows for quick reference to the recommended door weight or width limits of the unit. All parameters are based on a standard door. When the door is heavier, the opening speed should be reduced to ensure pedestrian safety. Additionally, door hardware such as patch fittings, arms, pivots, and locks may limit the range of use.

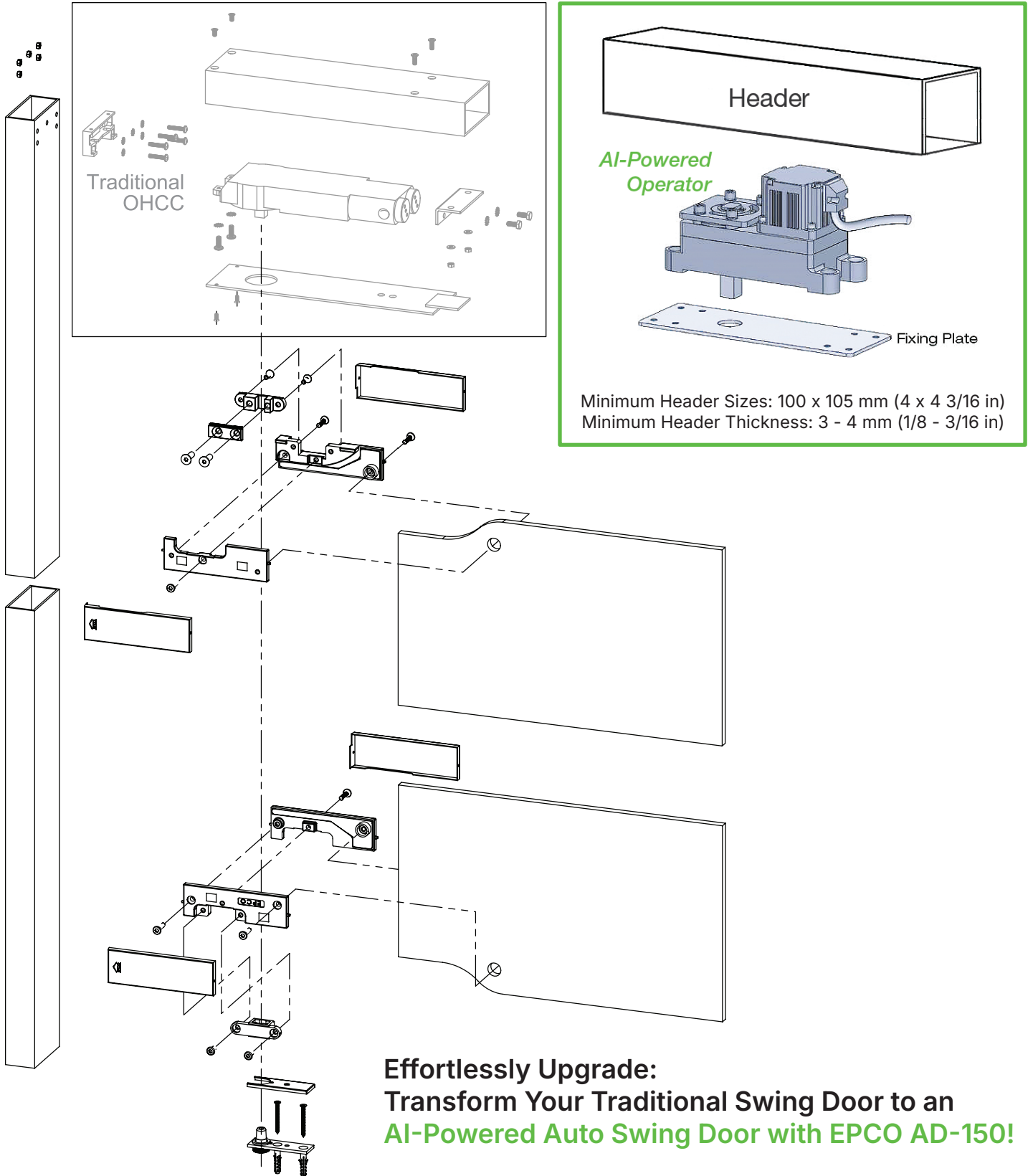
EPCO Electric Auto Swing Door AI Operator

Operator Dimensions



EPCO Electric Auto Swing Door AI Operator

Assembly Illustration

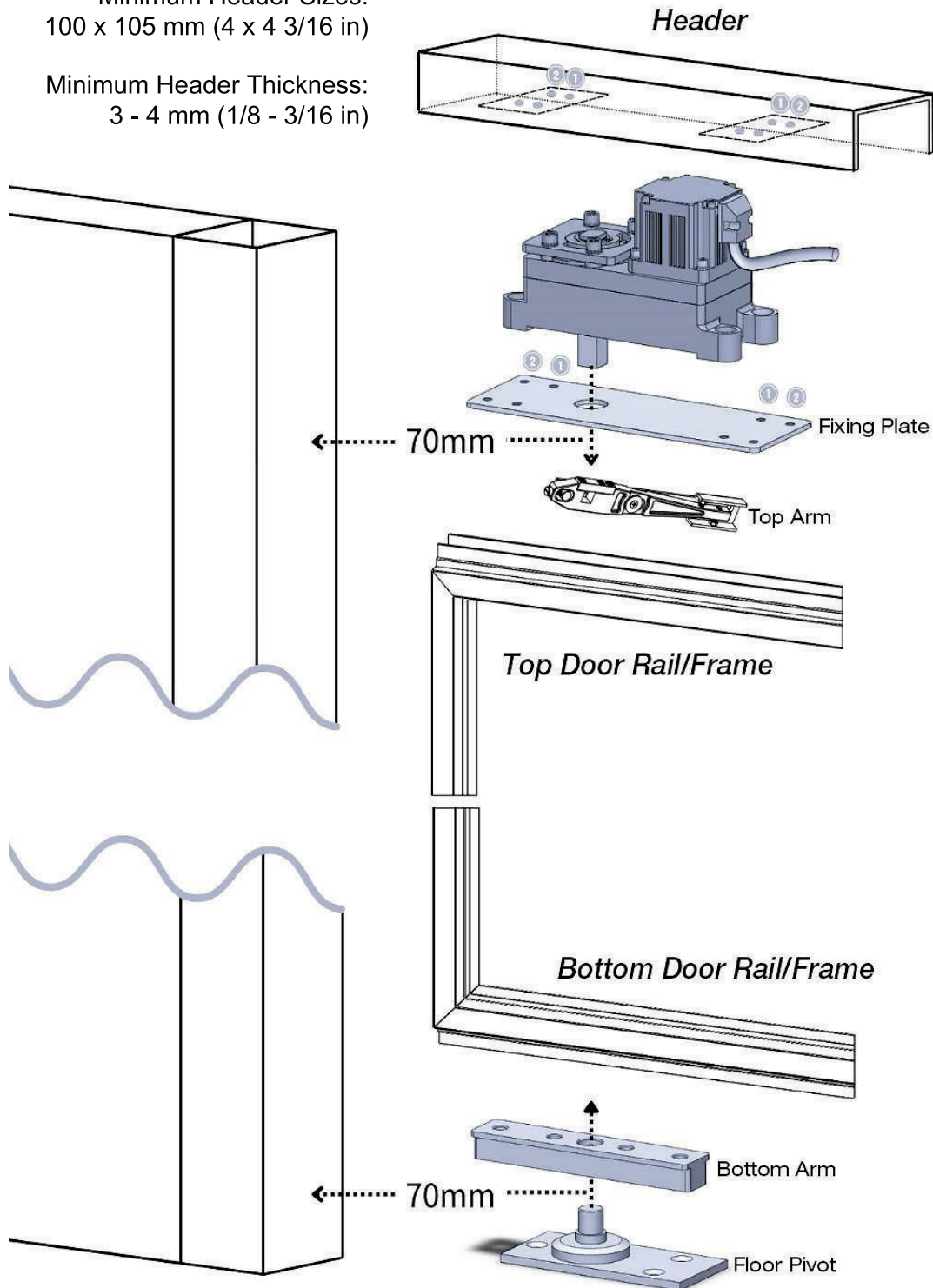


EPCO Electric Auto Swing Door AI Operator

Assembly Illustration

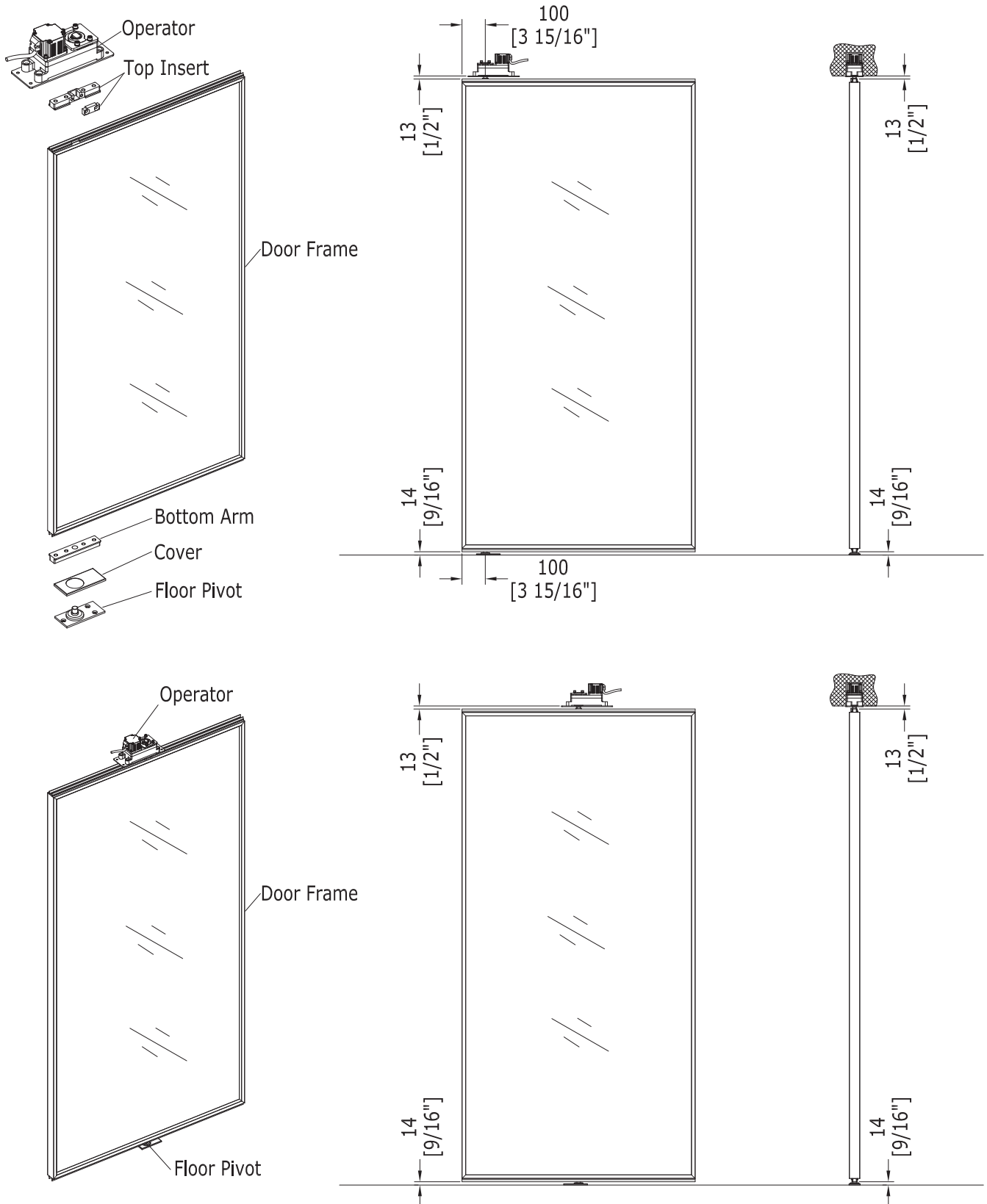
Minimum Header Sizes:
100 x 105 mm (4 x 4 3/16 in)

Minimum Header Thickness:
3 - 4 mm (1/8 - 3/16 in)



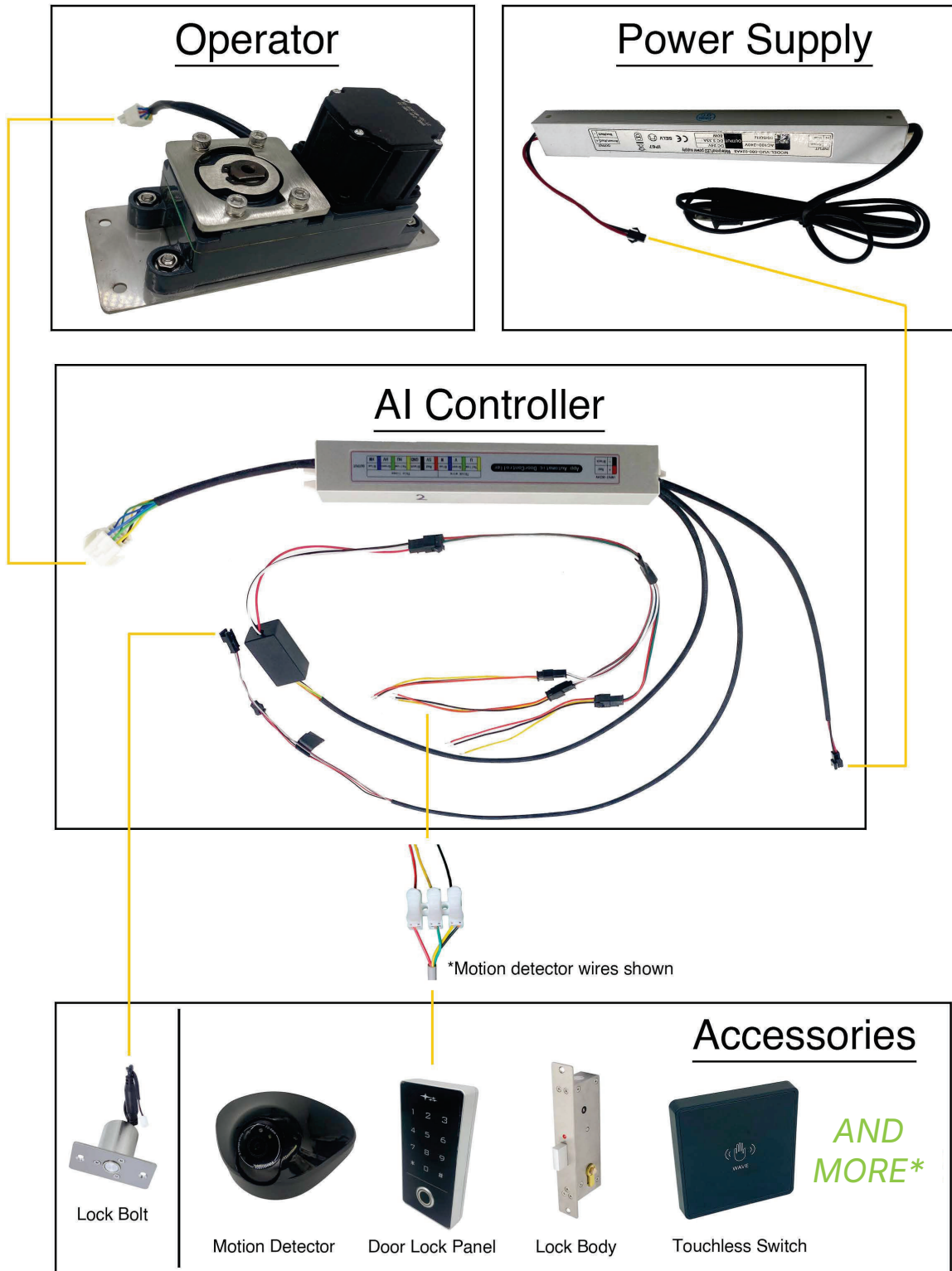
EPCO Electric Auto Swing Door AI Operator

Assembly Illustration



EPCO Electric Auto Swing Door AI Operator

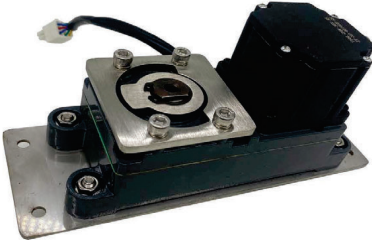
Simple Wiring Connection



* EPCO focus on providing excellent products and services. For more information, please visit our website at www.epcocorp.com and contact us via email at info@epcocorp.com. ©Copyright 2025 EPCO Architectural Hardware (USA) Inc. All rights reserved.

EPCO Electric Auto Swing Door AI Operator

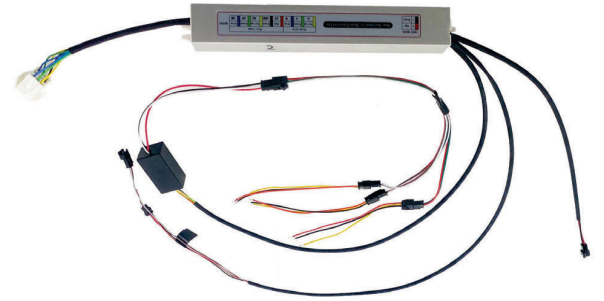
AD-150 Standard Package



AD-150 Operator

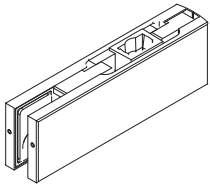


Power Supply

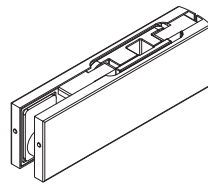


AD-150 AI Controller

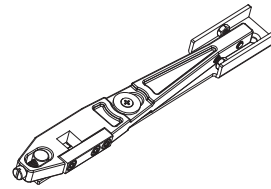
Door Hardware Options



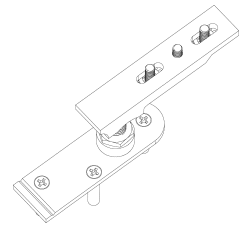
PF10
Bottom Patch Fitting



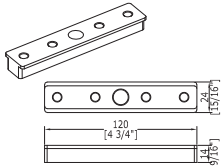
PF21A
Top Patch Fitting



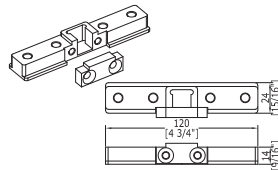
800-1010A
Side-Load Arm



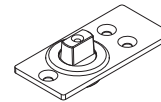
800-0021
Floor Pivot
For door weight up to
100 kg (220 lbs)



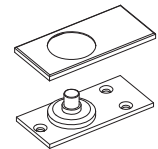
9971
Bottom Arm
For door weight up to
100 kg (220 lbs)



9972
Top Insert
For door weight up to
200 kg (440 lbs)



9916
Floor Pivot
For door weight up to
200 kg (440 lbs)



9917
Floor Pivot
For door weight up to
100 kg (220 lbs)

Accessories AND MORE*



HD-009
Touchless Switch
Hands-free operation,
improving hygiene and
convenience



HD-011
Motion Detector
Enhances security by
detecting movement



HD-012
Door Lock Panel
Fingerprint + Passcode +
Card Unlock



HD-013
Electric Lock Body
Will not unlock during a
power failure



HD-014
Electric Lock Bolt
Will unlock during a
power failure

* EPCO focus on providing excellent products and services. For more information, please visit our website at www.epcocorp.com and contact us via email at info@epcocorp.com. ©Copyright 2025 EPCO Architectural Hardware (USA) Inc. All rights reserved.