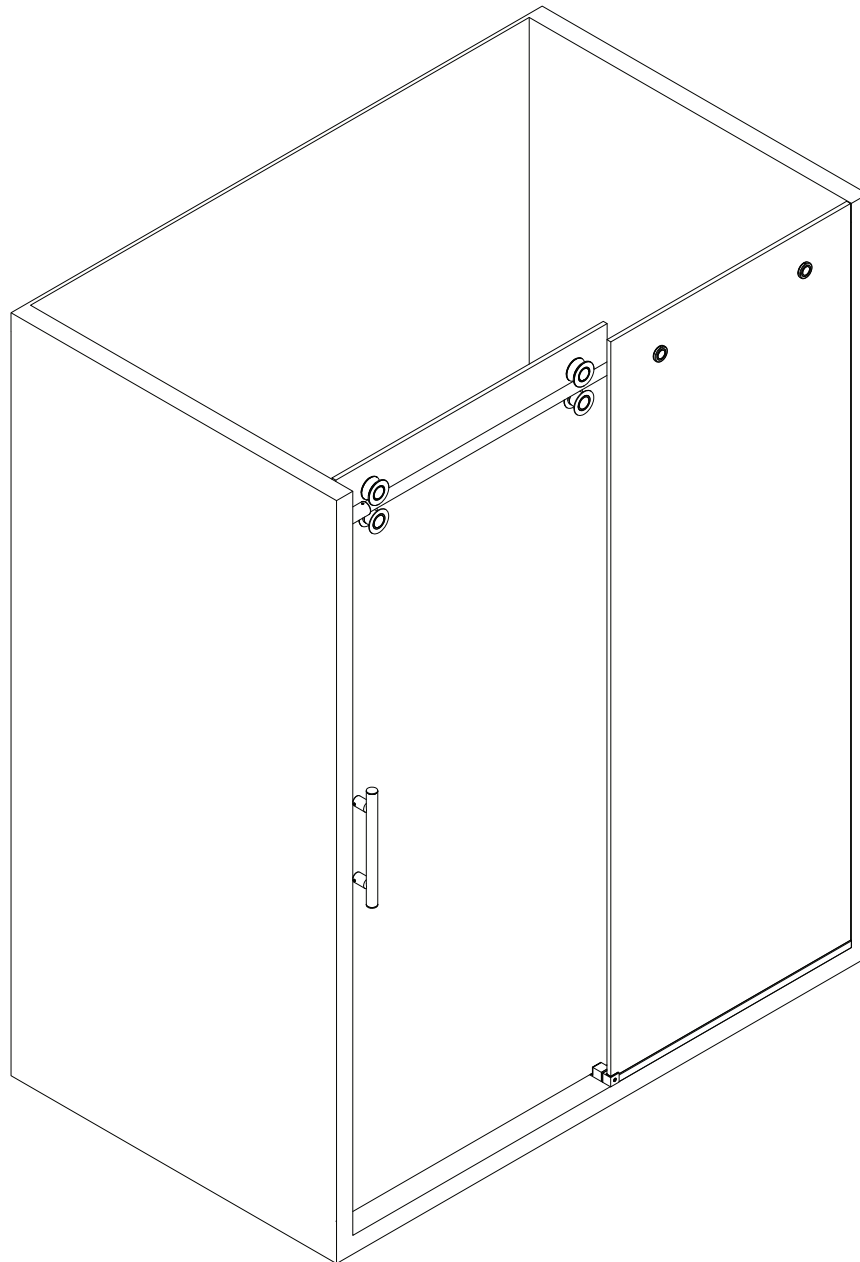


Installation Instructions

KLS-O2.5



STANDARD KD (KLS-O2.5) : FITS UP TO 56-1/2" TO 60" WIDE OPENING
DANGER : IF THIS SHOWER IS INSTALLED IN AN OPENING OVER 60",
THIS COULD RESULT IN SERIOUS INJURY. REFER TO PAGE 1-5

CUSTOM KD (KLS-O2.5.72) : FITS UP TO 72" WIDE OPENING
DANGER : IF THIS SHOWER IS INSTALLED IN AN OPENING OVER 72",
THIS COULD RESULT IN SERIOUS INJURY. REFER TO PAGE 1-3 & 6-7

◆ General Information

Please inspect the product immediately upon receipt for transit damage, missing packs/parts or manufacturing fault. Damage reported later cannot be accepted. Please handle the product with care avoiding knocks and shock loading to all sides and edges of the glass.

Notes: Safety glass can not be re-worked.

Please read these instructions carefully before start of installation.

Special care should be taken when drilling walls to avoid hidden pipes or electrical cables.

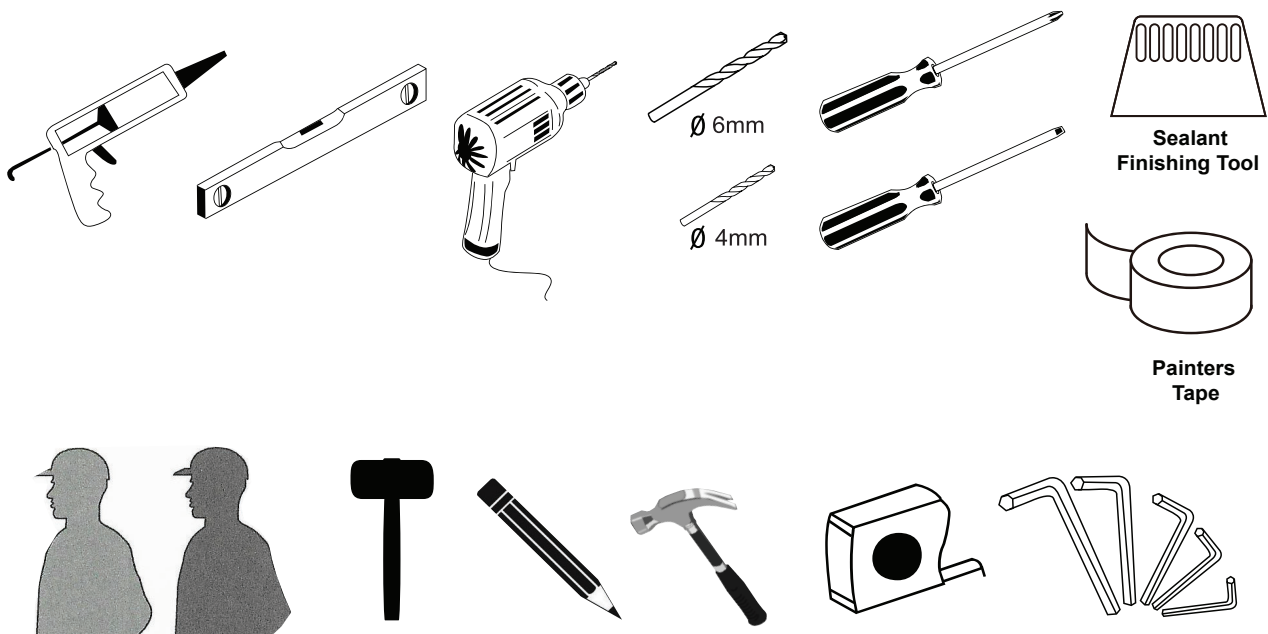
Note: This product is heavy and may require two people to install.

Aftercare instructions

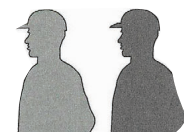
After use, your shower should be cleaned with soap and water. This is particularly important in hard water districts where insoluble lime salts maybe deposited and allowed to build up. Cleaners of a gritty or abrasive nature should not be used. Care should be taken to avoid contact with strong chemicals, they can be used but with caution, if in doubt contact the manufacturer of the cleaner in question.

Please keep these instructions for aftercare and customer service details.

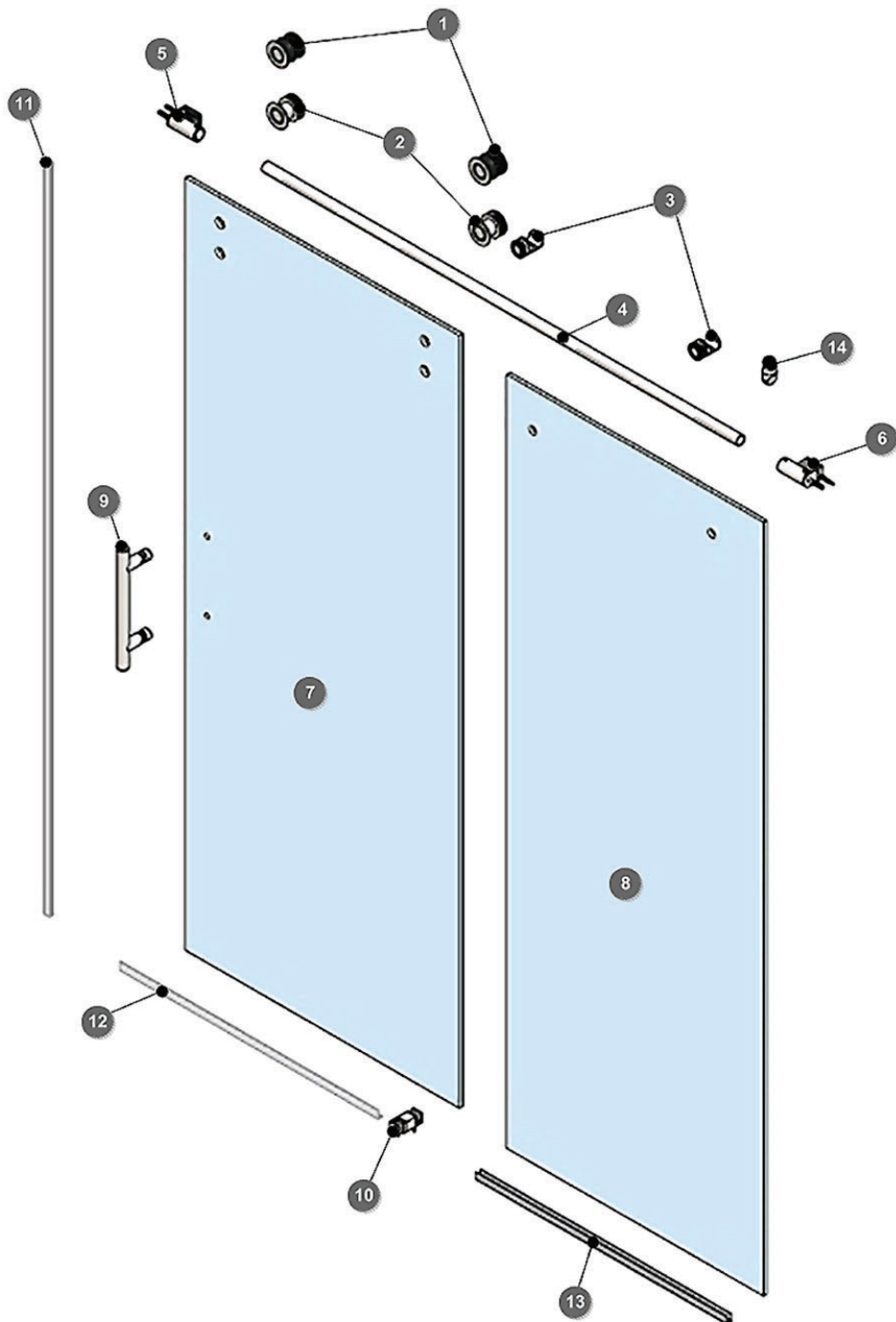
Tools Required



Note: This product is heavy and may require two people to install.



◆ Assembly Drawing



CAPACITY

Maximum Door Weight:
100LBS (45KG)

Maximum Door Width:
39" (990mm)

Maximum Door Height:
83 5/8" (2124mm)

REQUIRED PARTS

Description	QTY	Description	QTY
1 Adjustable Roller	2 pcs	9 Shower Handle or Flush Pull	1 pc
2 Anti-lift Pin	2 pcs	10 Floor Guide with Inserts	1 pc
3 Track Holder	2 pcs	<u>Options:</u>	
4 Track Bar	1 pc	11 Bulb Seal for 3/8"(10mm) or	1 pc
5 Wall Fixing with Grippers	1 pc	1/2" (12mm) glass	
6 Wall Fixing with Bumper	1 pc	12 Adhesive L Seal	1 pc
7 Glass Door (not included)	1 pc	13 U-channel for 3/8" (10mm) or	1 pc
8 Fixed Panel (not included)	1 pc	1/2" (12mm) glass	
		14 Stopper(for KLS-O2.5.72 KD)	1 pc

◆ Typical Configurations



Configuration 1
Door Inside, Left



Configuration 2
Door Inside, Right

☞ This Configurations
is illustrated in this Manual



Configuration 3
Door Outside, Left



Configuration 4
Door Outside, Right

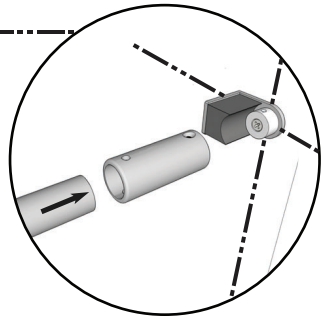
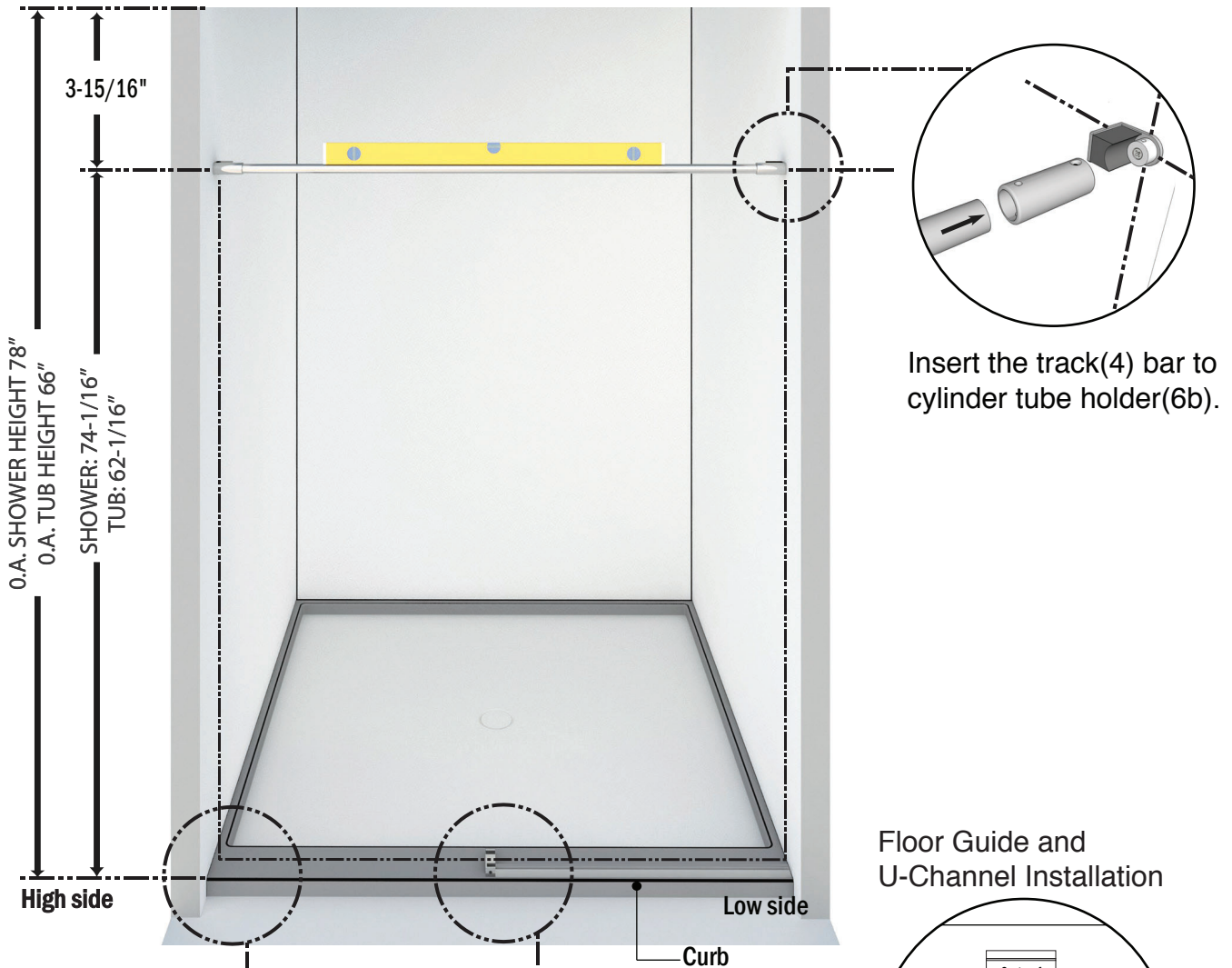
NOTE: The KLS-O2.5 enclosure is reversible for left or right side shower head configurations. This manual will show configuration 1 the left side shower head installation. For right side shower head installation, simply begin on the opposite wall and reverse the orientation of the parts as necessary.

STANDARD (KLS-02.5)



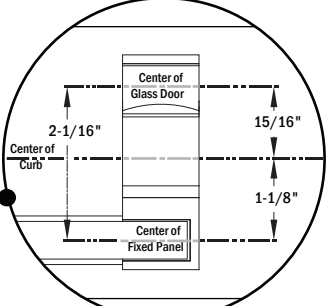
Bar Installation

Mount wall bracket on high side of curb first. Level bar to mark opposite wall for second wall bracket.

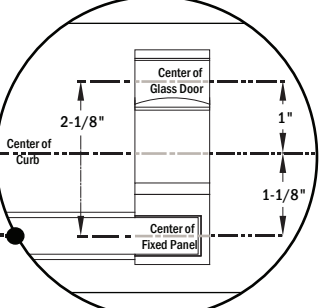


Insert the track(4) bar to cylinder tube holder(6b).

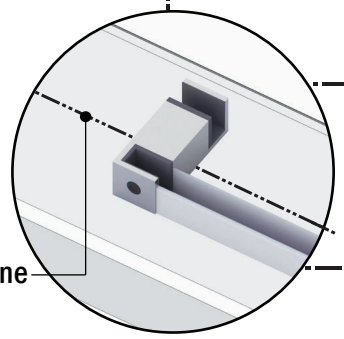
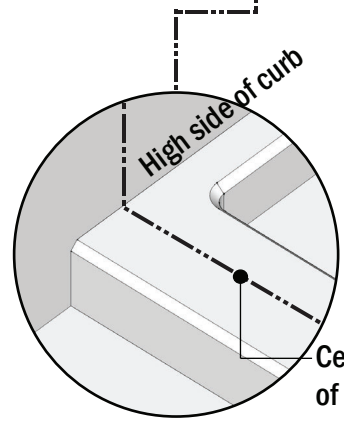
Floor Guide and U-Channel Installation



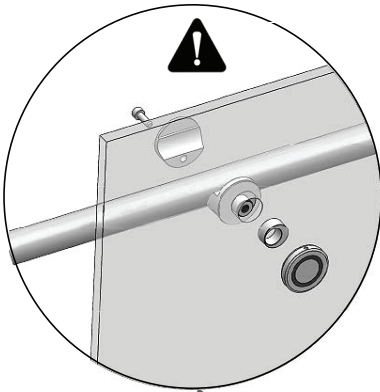
For 3/8" (10mm) Glass



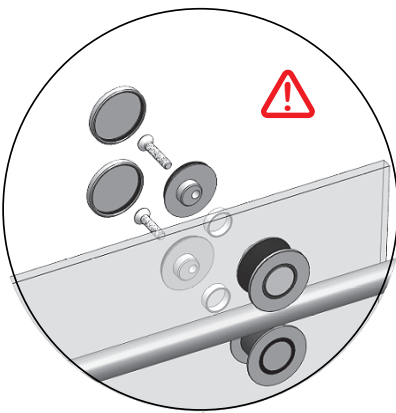
For 1/2" (12mm) Glass




Labeled 3/8" (10mm) Inserts for 3/8" (10mm) Glass
 Labeled 1/2" (12mm) Inserts, and add a 3/16" (4mm)
 thick metal shim for 1/2" (12mm) Glass, refer to page 9




NOTE: TIGHTEN CAP ON, STANDOFF AGAINST GLASS BEFORE TIGHTENING ALLEN SCREW BEHIND BAR



Install rollers with bearings (Top)
Install anti-lift pins (Bottom)
NOTE: The gap between the track bar and anti-lift pins should be less than 1/16" (1mm)

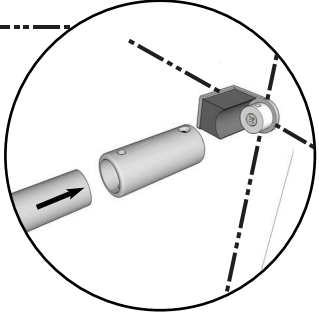
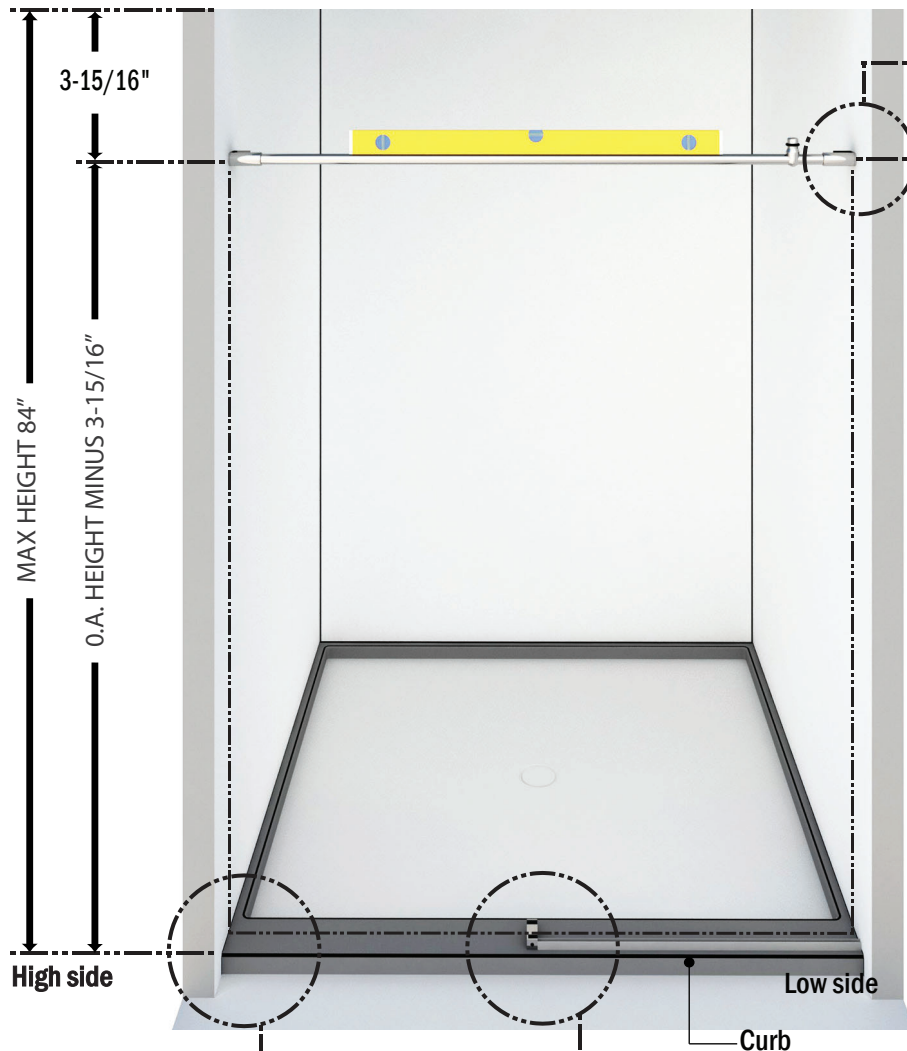
 Eccentric nuts for roller adjustment. (Raises and lowers the roller) Minimum spacing should be oriented towards the middle shown. Adjustments can be made after the door installation.



Bar Installation

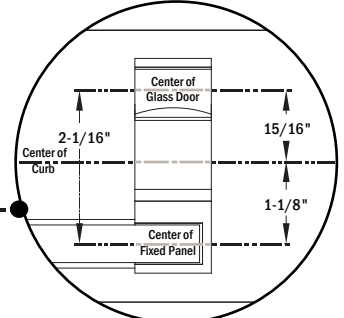
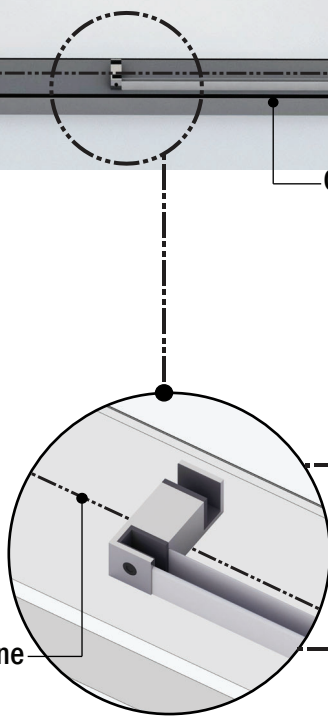
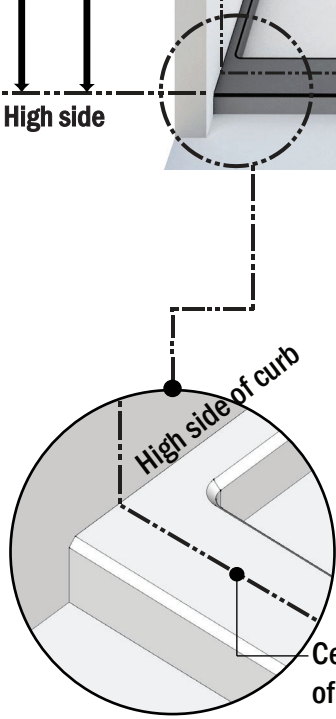
Mount wall bracket on high side of curb first. Level bar to mark opposite wall for second wall bracket.

BAR LENGTH = OPENING WIDTH MINUS 1"

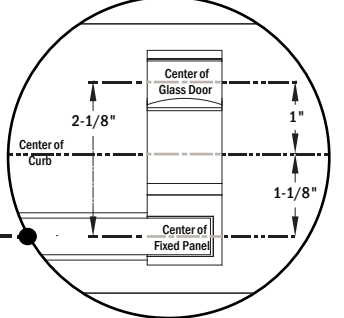


Insert the track(4) bar to cylinder tube holder(6b).

Floor Guide and U-Channel Installation

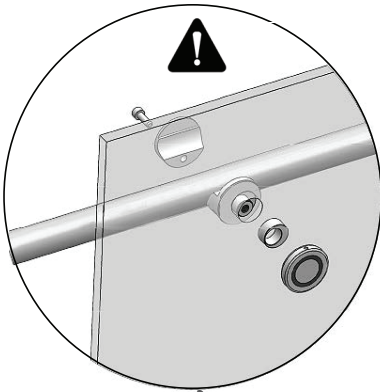


For 3/8" (10mm) Glass

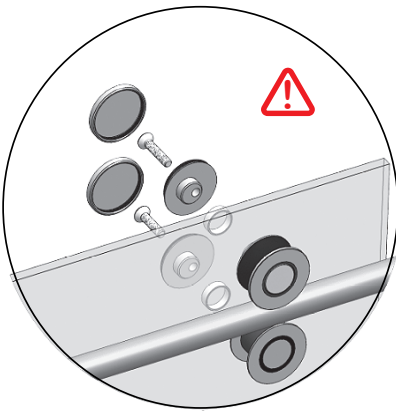


For 1/2" (12mm) Glass


Labeled 3/8" (10mm) Inserts for 3/8" (10mm) Glass
 Labeled 1/2" (12mm) Inserts, and add a 3/16" (4mm) thick metal shim for 1/2" (12mm) Glass, refer to page 9

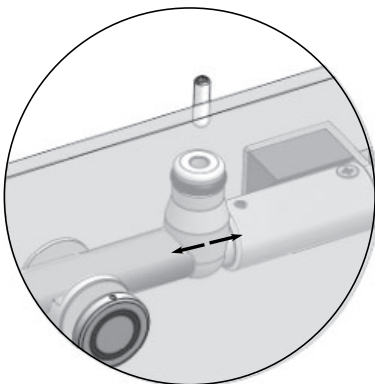



NOTE: TIGHTEN CAP ON, STANDOFF AGAINST GLASS BEFORE TIGHTENING ALLEN SCREW BEHIND BAR

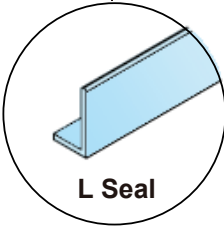
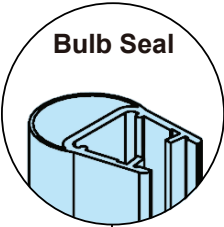


Install rollers with bearings (Top)
Install anti-lift pins (Bottom)
NOTE: The gap between the track bar and anti-lift pins should be less than 1/16" (1mm)

 Eccentric nuts for roller adjustment. (Raises and lowers the roller) Minimum spacing should be oriented towards the middle shown. Adjustments can be made after the door installation.

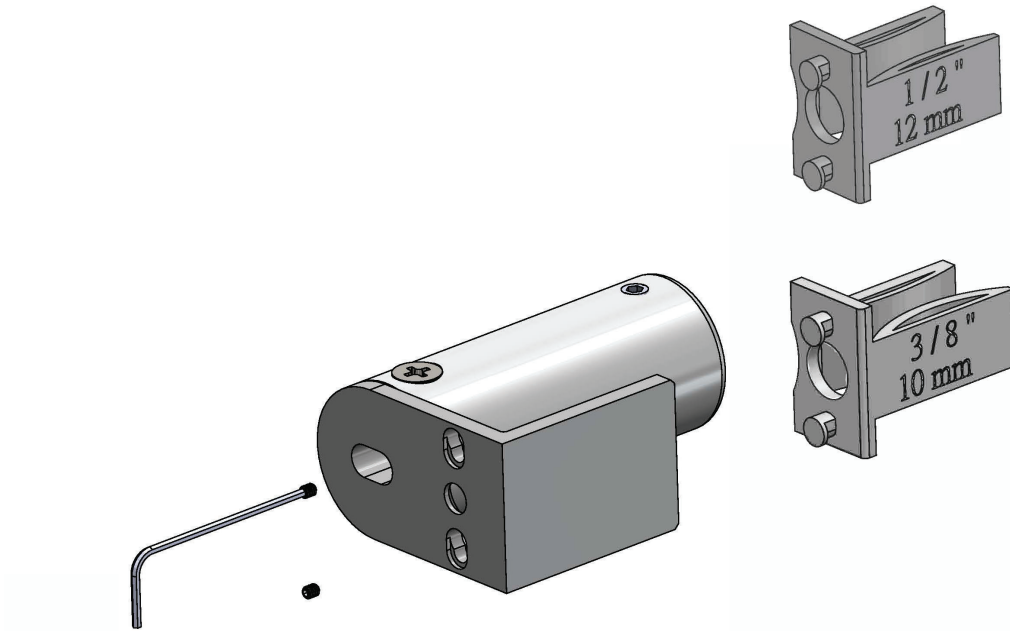


Seal Installation



Use with 1/2"(10mm) Glass

Remove 3/8"(10mm) glass gripper and replace with 1/2"(12mm) glass gripper



Remove 3/8"(10mm) inserts and replace with 1/2"(12mm) inserts; add 5/32"(4mm) washer

