

SMOOTH GLIDE



DURABLE



EASY INSTALL

OCEANIA PLUS

SLIDING SHOWER DOOR HARDWARE





Product Information

- Premium 304 grade stainless hardware
- For 3/8" and 1/2" (10mm and 12mm) tempered glass
- One 1" (25.4mm) diameter track bar
- Two 2-3/16" (55 mm) smooth glide rollers
- Easy install and adjust
- Finish: Polished S.S, Brushed S.S, and Matte Black

Capacity

Maximum Door Weight: 100LBS (45KG)
 Maximum Door Width: 39" (990mm)
 Maximum Door Height: 83 5/8" (2124mm)

Stainless Polished (SP)

Stainless Satin (SS)

Matte Black (MB)

Hardware Kit / Set Includes

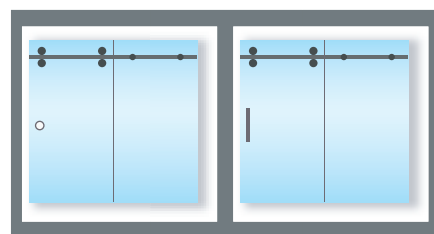
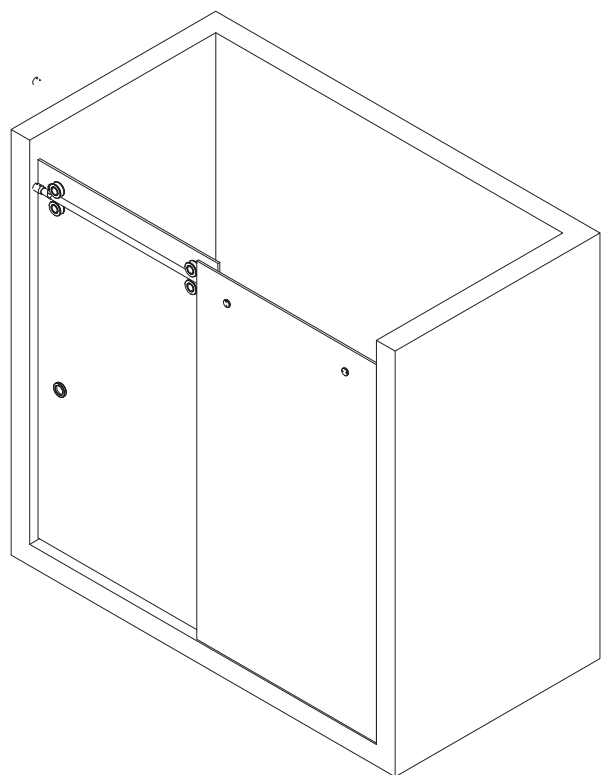
- 1 ea Track bar @ 59" (1498 mm) length for up to 60" (1524 mm) wide opening
- 2 ea Adjustable smooth glide rollers
- 2 ea Adjustable anti-lift pins
- 2 ea Track holders(Fixed panel holders)
- 2 ea Stoppers
- 2 ea Wall brackets
- 1 ea Flush pull
- 1 ea Floor guide for sliding glass door

OPTIONS:

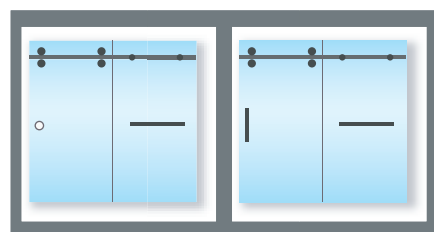
- Track bar @ 86" (2200 mm) length or longer
- Additional track holders
- U-Channel for 3/8" or 1/2" (10 mm or 12 mm) glass
- B8050WG or B8060FG Clamps
- KLS-O2-E90 End fixing for 90° return panel
- 8038 L seal and 8038B Bulb Seal

Package: White box with foam

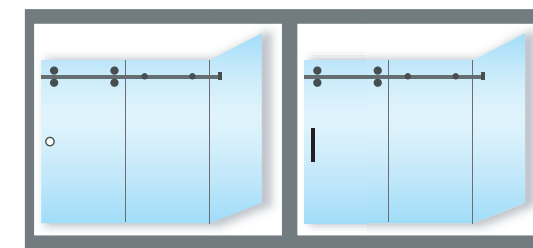
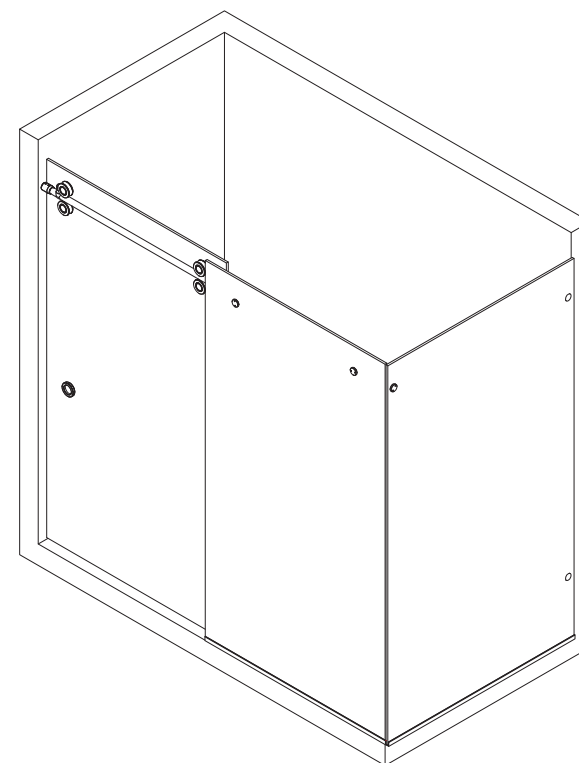
LAYOUT & OVERVIEW SKETCHES



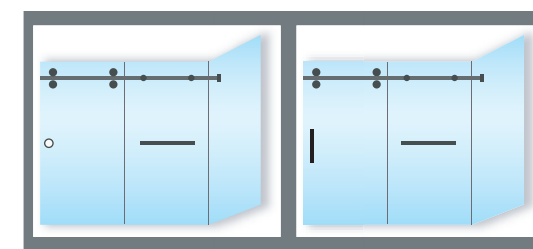
Layout 1-1
Sliding Door and Fixed Panel with a flush pull or a shower handle



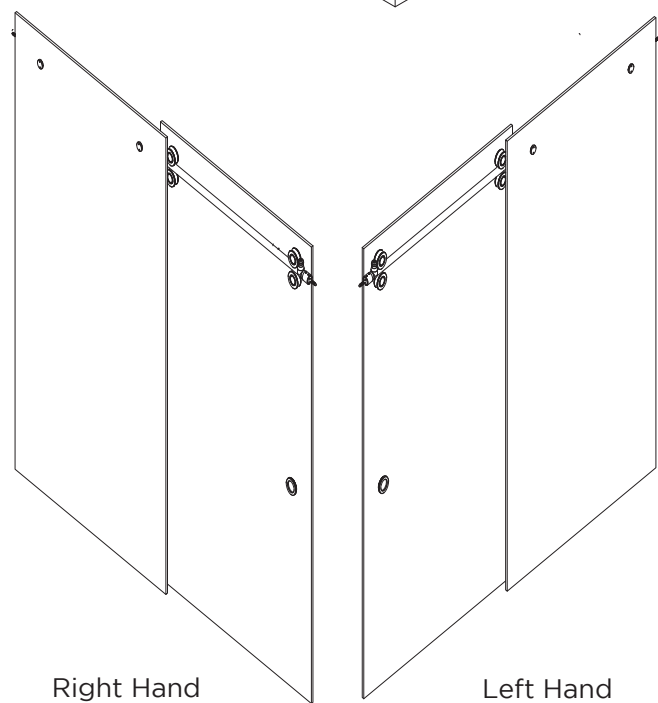
Layout 1-2
Sliding Door and Fixed Panel with a towel bar and a flush pull or a shower handle



Layout 2-1
Sliding Door, Fixed Panel and 90° Return Panel with a flush pull or a shower handle

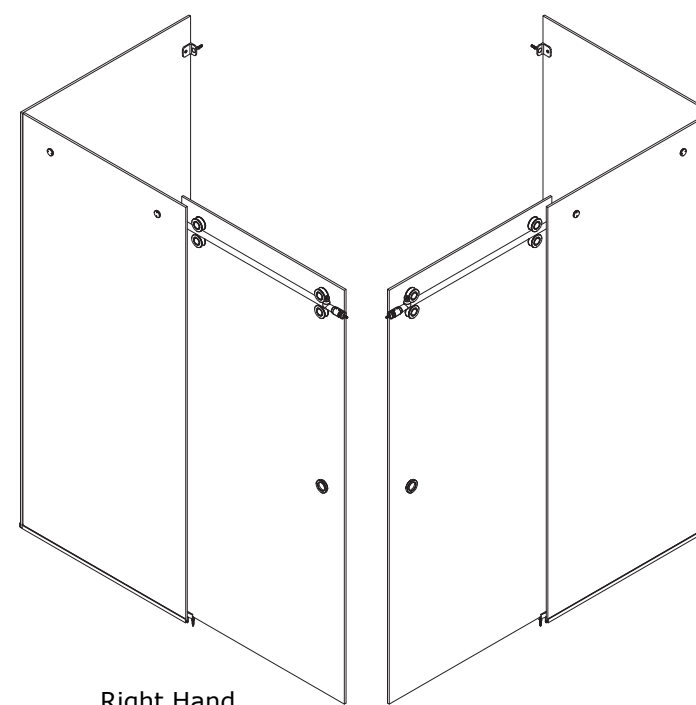
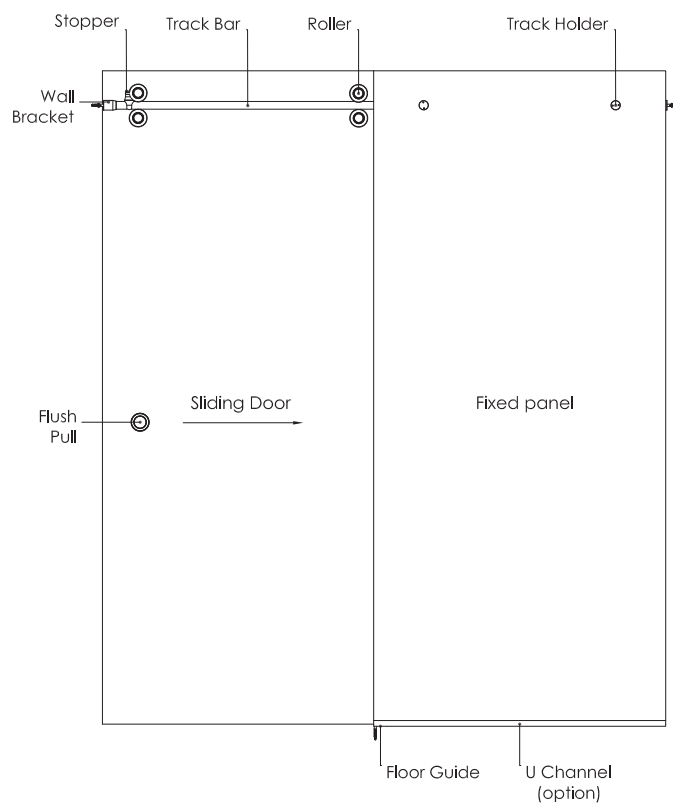


Layout 2-2
Sliding Door, Fixed Panel and 90° Return Panel with a towel bar and a flush pull or a shower handle



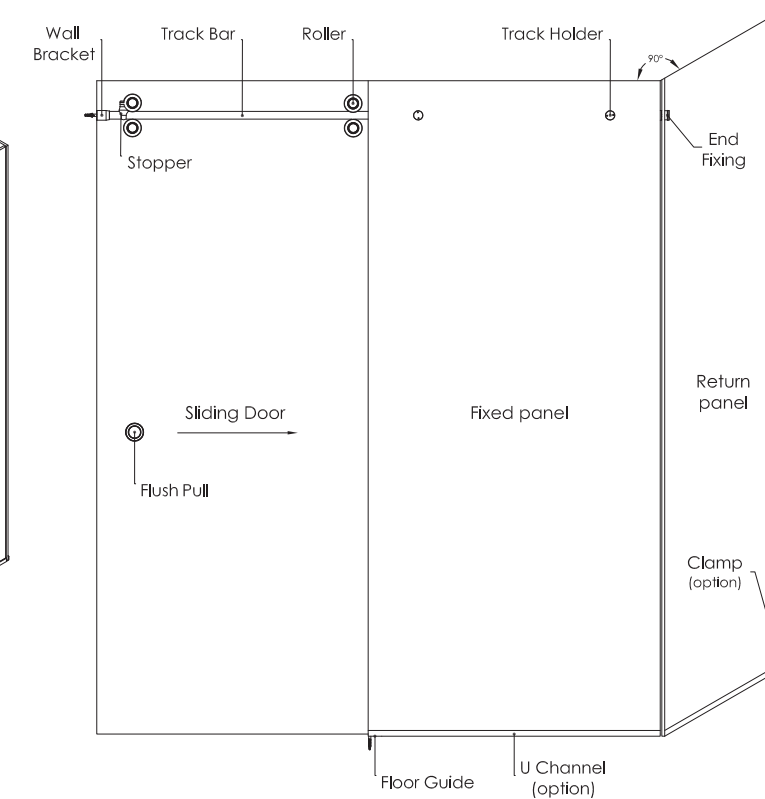
Right Hand

Left Hand

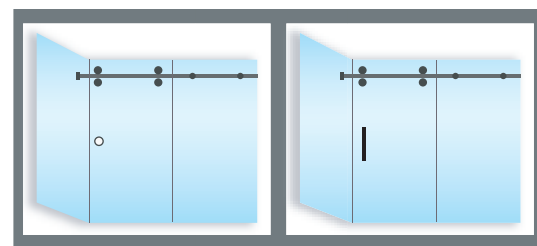
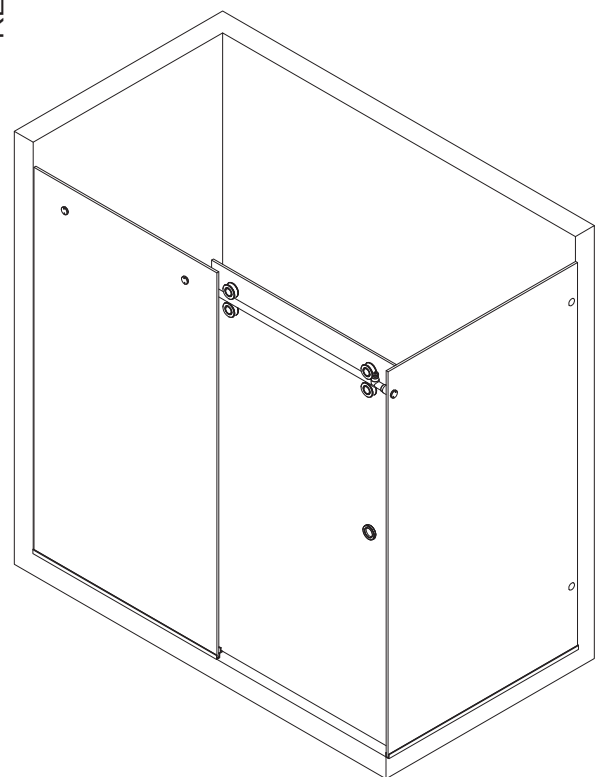


Right Hand

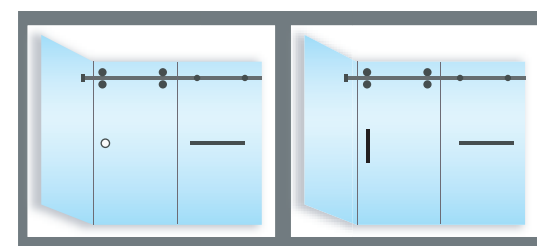
Left Hand



LAYOUT & OVERVIEW SKETCHES



Layout 2-3
Sliding Door, Fixed Panel and 90° Return Panel with a flush pull or a shower handle



Layout 2-4
Sliding Door, Fixed Panel and 90° Return Panel with a towel bar and a flush pull or a shower handle

